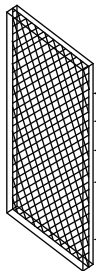


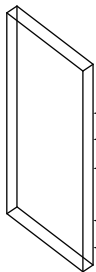
Tempered Glass

- ← Heat-treated clear safety glass that breaks into small particles
- ← Light Transmission: 86% approx
- ← Thickness: 1/4" (6 mm)
- ← Non-Fire Rated



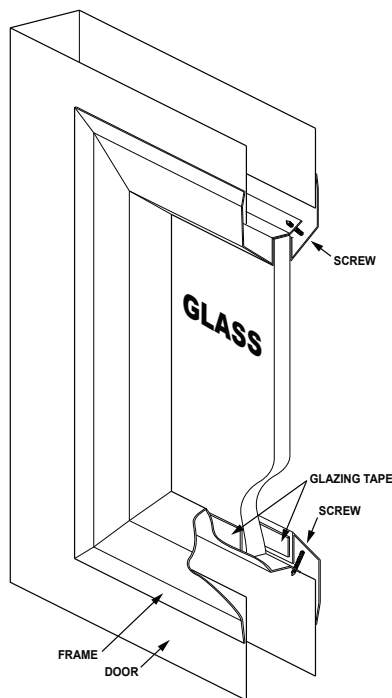
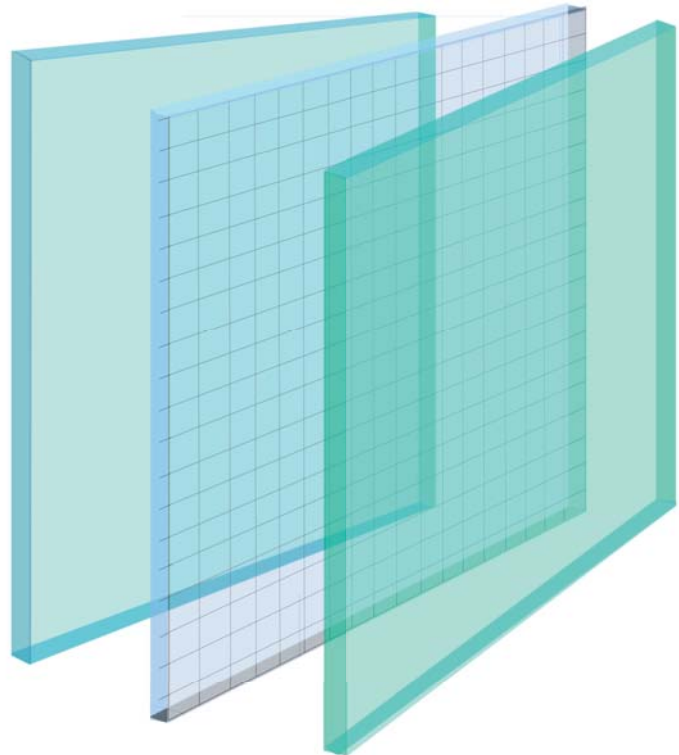
SuperLite I-W Wired Glass

- ← Embedded 3/4" x 3/4" wire mesh
- ← Light Transmission: 86% approx
- ← Thickness: 1/4" (6 mm)
- ← Annealed single glazing with safety film applied to one side
- ← 20-90 Minute Fire Rating



PYRAN® Platinum F Glass

- ← Glass Ceramic
- ← Light Transmission: 80% approx
- ← Surface applied Heavy Duty Safety film
- ← Thickness: 3/16" (5 mm)
- ← 20-180 Minute Fire Rating



GLASS OPTIONS

TEMP (Tempered Glass): Heat-strengthened glass and cannot be cut after manufacturing. Fire Rating: None. Clear wire free glass recommended for non fire rated applications. Use of glazing compound or glazing tape on both sides of glass is recommended to minimize breakage.
Size: Minimum 2" x 2", max sheet size: 88" x 118".

WS (Superlite I-W Wired Glass): 20 ga CRS (Cold Rolled Steel) beveled vision lite, 1/4" wired glass with film. Glass is UL labeled standard. Fire Rating: 20 minutes to 90 minutes. Install in fire listed and labeled vision frames. Use of glazing compound or glazing tape on both sides of glass is recommended to minimize breakage.
Size: Minimum 4" x 4", max rated size: 36" x 84".

PPF (PYRAN® Platinum F Glass): Glass is UL labeled standard. Fire Rating: 20 minute to 3 hours. Install in fire listed and labeled vision frames. Use of glazing compound or glazing tape on both sides of glass is recommended to minimize breakage.
Size: Minimum 4" x 6", max sheet size: 43" x 77".