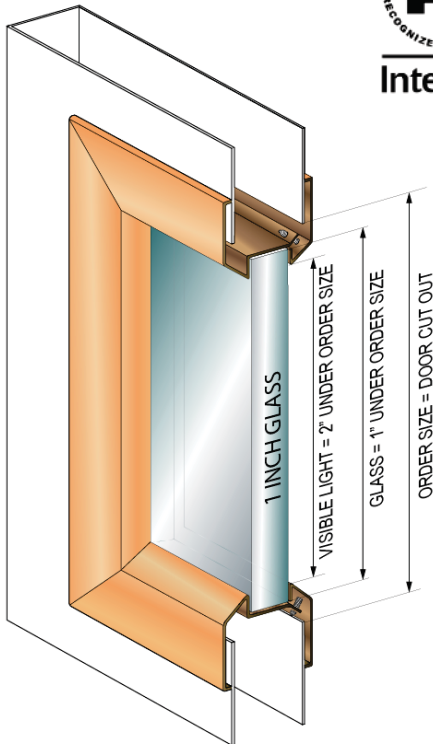
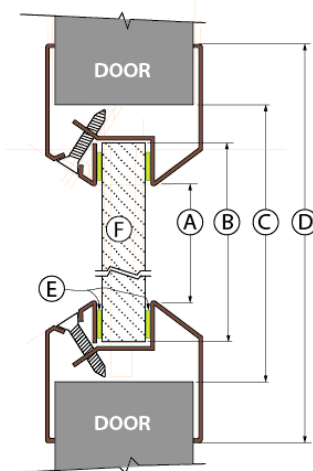


# LITES

## 10VL SERIES, VISION LITE STANDARD PROFILE FOR 1" THICK GLASS



- ▶ 45-180 Minute Fire Rated Steel Vision Lites for 1" Glass
- ▶ Standard Profile Vision lite for Fire Rated Doors
- ▶ Frame has Single-side Fasteners
- ▶ 20 Gauge Cold Rolled Steel
- ▶ Designed for use with 1-3/4" doors only
- ▶ Baked on powder coat finish
- ▶ Color: Standard Bronze
- ▶ Fasteners: #8 x 7/8" Flathead phillips head SMS



- (A) VISIBLE LIGHT = 2" UNDER ORDER SIZE
- (B) GLASS = 1" UNDER ORDER SIZE
- (C) ORDER SIZE = DOOR CUTOUT
- (D) 1-3/8" OVER ORDER SIZE
- (E) GLAZING TAPE
- (F) GLASS 1" THICK

### 10VL, Beveled Vision Lite for 1" Thick Glass

ITEM #	SIZE (DOOR CUTOUT) Width x Height	PCS/CTN
10VL627	6" x 27"	6
10VL722	7" x 22"	6
10VL832	8" x 32"	6
10VL1212	12" x 12"	10
10VL2424	24" x 24"	4
10VL2430	24" x 30"	4
10VL2432	24" x 32"	4
10VL2436	24" x 36"	2
10VL2456	24" x 56"	2
10VL2460	24" x 60"	2
10VL2464 *	24" x 64"	2

\*Shaded Items are Non-Fire Rated.

See Lites & Louvers Intertek Certification for detailed information on Fire Ratings.



4G DOORS FRAMES and HARDWARE

31147 Plymouth Rd. Livonia, MI 48150 734-883-7468 sales@4gdoors.com www.4gdoors.com