

For use in Fire Rated door applications under positive and neutral pressure. Intertek testing certification in compliance to NFPA 252 (2000), UL 10C (2009), CAN/ULS104 (2010), NFPA (201) and CSI Code 0870 00

SPECIFICATIONS

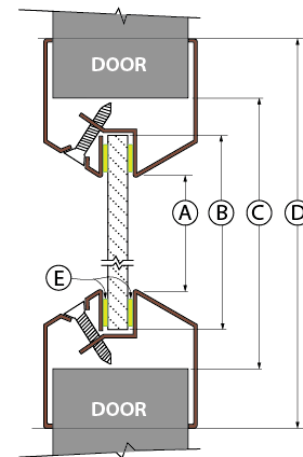
- Standard Profile Beveled Vision Lite
- 20 Gauge Cold Rolled Steel
- Mitered welded corners with counter sunk mounting holes
- Single side attaching with matching mounting screws included
- For use with 3/16" to 1/4" glass thickness
- Designed for use with 1-3/4" doors only
- Baked on powder coat finish
- Color: Standard Bronze
- Fastener: #8 x 7/8" flathead phillips head SMS

OPTIONS

- Also available as a kit or bundle which comes with the Frame, Glass and Glazing Kit
- Available glass types are 1/4" Tempered (TEMP), 1/4" Superlite I-W Wired Glass (WS) and 3/16" Pyran® Platinum F Glass (PPF).

NOTES

- Order size is equal to opening size
- Visible vision opening is 2" under order size
- Glass size dimension is 1" under complete order size
- Follow all door manufacturer's instructions for use and installation of all products.



- (A) VISIBLE LIGHT = 2" UNDER ORDER SIZE
- (B) GLASS = 1" UNDER ORDER SIZE
- (C) ORDER SIZE = DOOR CUTOUT
- (D) 1-3/8" OVER ORDER SIZE
- (E) GLAZING TAPE