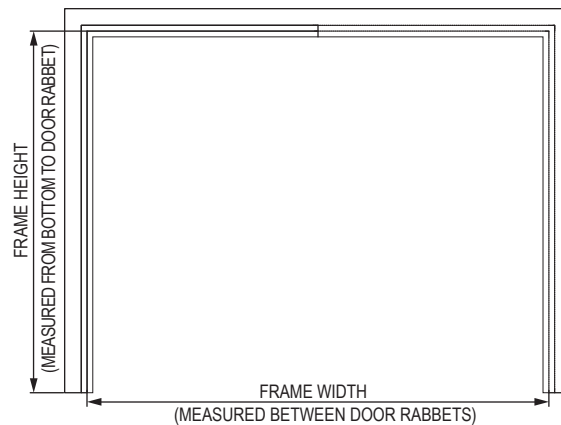
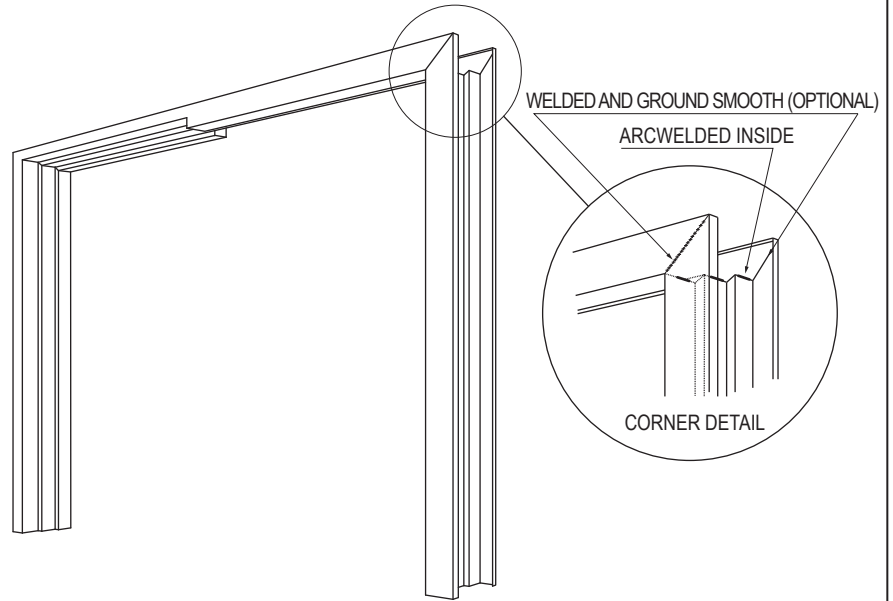


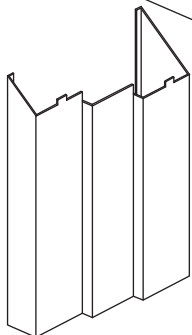
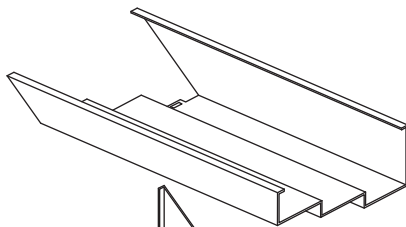
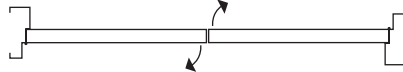


**Standard Features**

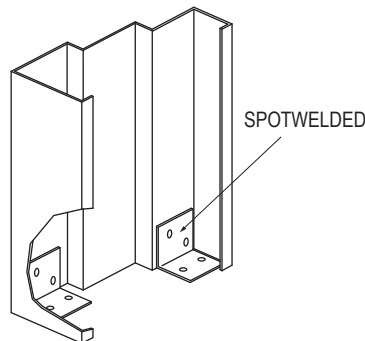
- ◆ 16-Gauge Cold Rolled Steel or A-40 Galvanized option
- ◆ Double Egress Profile
- ◆ Exact fit mitered corner
- ◆ 7-Gauge Hinge Reinforcement
- ◆ Standard / Heavy Duty Adjustment
- ◆ Floor Anchors in all jamb sides
- ◆ Wall anchors for Masonry, Wood Stud, Metal Stud and Strap Anchors
- ◆ 4-inch to 13-inch jamb depths
- ◆ 20-minute to 3-hour label



FRAMES PROVIDED RIGHT HAND EXCEPT AS NOTED



K-D CORNER DETAIL



FLOOR ANCHOR DETAIL

