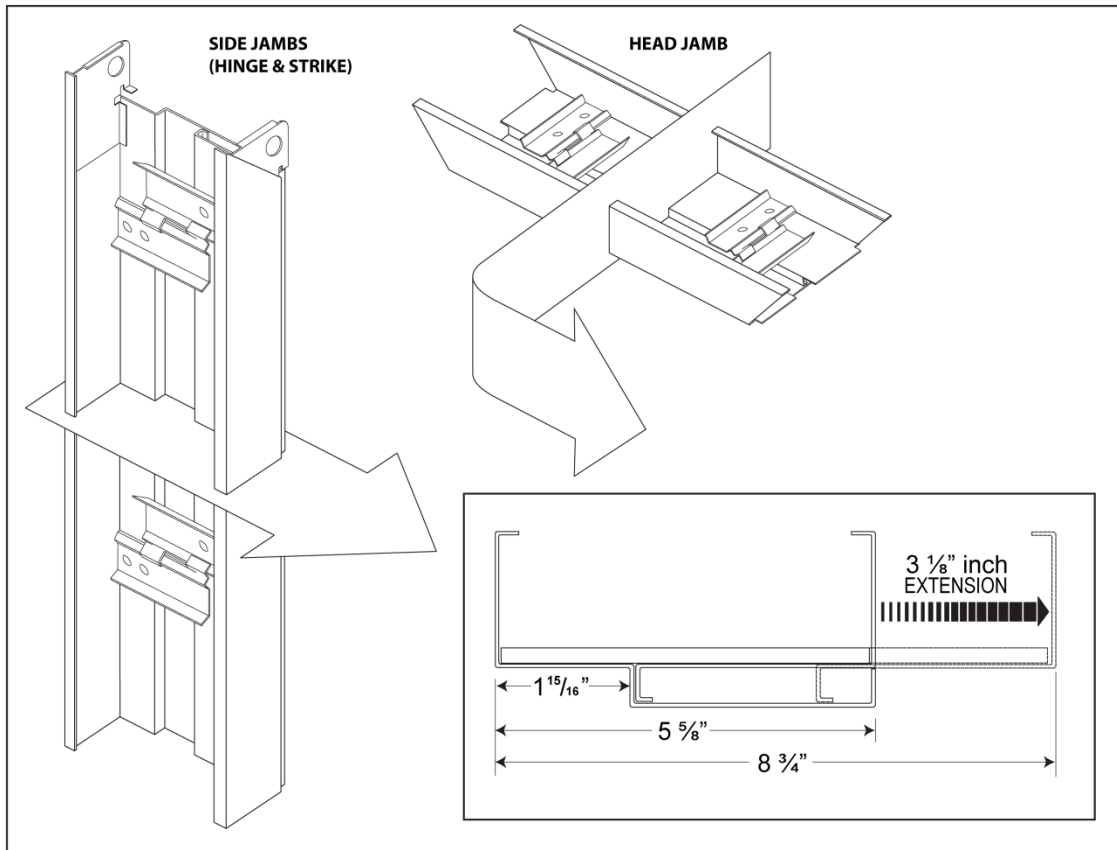


**16 GAUGE GALVANIZED**  
**5.625" to 8.75" Depth Expandable Masonry Frame**  
**90 Minutes WHI**



| COMPLETE FRAME SIZES       |       |        |
|----------------------------|-------|--------|
|                            | WIDTH | HEIGHT |
| S<br>I<br>N<br>G<br>L<br>E | 3'0"  | 6'8"   |
|                            |       | 7'0"   |
|                            |       | 8'0"   |
|                            | 3'6"  | 6'8"   |
|                            |       | 7'0"   |
|                            |       | 8'0"   |
| P<br>A<br>I<br>R           | 6'0"  | 6'8"   |
|                            |       | 7'0"   |
|                            |       | 8'0"   |

| FRAME COMPONENTS |        |
|------------------|--------|
| PART             | LENGTH |
| HINGE<br>JAMB    | 6'8"   |
|                  | 7'0"   |
|                  | 8'0"   |
| STRIKE<br>JAMB   | 6'8"   |
|                  | 7'0"   |
|                  | 8'0"   |
| SINGLE<br>HEAD   | 3'0"   |
|                  | 3'6"   |
|                  | 4'0"   |
| PAIR<br>HEAD     | 6'0"   |

| HOW TO ORDER                                                                       |                                                                                                  |      |
|------------------------------------------------------------------------------------|--------------------------------------------------------------------------------------------------|------|
| Example: 3070 Part # 5625 (5.625" to 8.75")<br>Expandable Masonry Right Hand Frame |                                                                                                  |      |
| TYPE                                                                               | SIZE                                                                                             | PART |
| X                                                                                  | 305625                                                                                           | H    |
| X                                                                                  | 705625                                                                                           | HJR  |
| X                                                                                  | 705625                                                                                           | SJR  |
| TYPE                                                                               | X (Expandable Masonry)                                                                           |      |
| SIZE                                                                               | Width / Height                                                                                   |      |
| PART                                                                               | H (Head),<br>HJ (Hinge Jamb Right or Left),<br>SJ (Strike Jamb Right or Left),<br>PR (Pair Head) |      |

