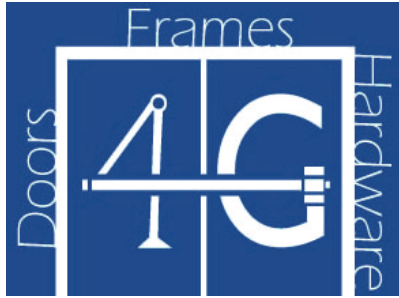


4G DOORS FRAMES HARDWARE



4G Doors

31147 Plymouth Rd. Livonia
MI 48150
734-883-7468
sales@4gdoors.com
www.4gdoors.com







4G Doors Frames and Hardware constantly strive to meet the demands of the steel door and frame industry by providing premium products to the customer.

Superior quality, a strong service commitment, and value are 4G watch words. Standard features built into each door and frame reflect constant attention to detail and performance. 4G steel doors standard features include:

- 16, 18, 20 gauge flush 6 panel, 2 panel and single panel doors
- Seamless door edge
- Reversible
- 3 hour WHI fire, Positive Pressure, and **S** Smoke label
- Cold rolled or A40 galvanized steel
- Prime painted with baked on two stage epoxy resin
- 7 gauge universal hinge reinforcements
- 12 gauge closer reinforcement
- 16 gauge flush sealed top channel / inverted bottom channel
- Closed hinge cavity
- High density full body polystyrene or honeycomb core
- Blank edge door includes rim exit device reinforcement
- Individual protective packaging

4G's commitment is to provide superior quality and service, at competitive pricing to our customers.

The 4G vision of premium features and value to the customer is here.

Hollow Metal Doors

Precision seamless construction is exclusive to 4G, producing doors that meet or exceed all industry standards. Our line of doors features cold-rolled steel, primed for interior applications and galvanized A40 steel with insulating cores for exterior applications.

All standard doors bear the WHI 3 hour listing mark, including Positive Pressure and **S** Smoke labels, combined.

Decorator doors are available in six-panel, two-panel and single panel, with insulating polystyrene cores.

Welded or Knock Down Steel Frames

4G manufactures steel frames in standard sizes. These frames have the toughest tolerances in the industry. 4G steel frames are available in 16 and 18 gauge for 1 3/4" doors. All standard frames are manufactured from cold-rolled or galvanized A40 steel.

4G fire labeled steel frames carry the 3 hour Warnock Hersey label for masonry and 90 minutes for drywall frames.

Expandable Width Masonry and Drywall Frames for odd-fit wall widths and retrofit situations. Applicable to walls with width 4 5/8" to 7 3/4".

**Door Series**

1000	= 18 Ga. Polystyrene
1100	= 18 Ga. Honeycomb
1112	= 18 Ga. 1 3/8" Honeycomb Rolled Seam
1113	= 18 Ga. 1 3/8" Honeycomb Seamless
1200	= 20 Ga. Polystyrene
1300	= 18 Ga. Steel Stiffened
1400	= 16 Ga. Steel Stiffened
MD1400	= Max-Duty Doors & Frames
1500	= Polystyrene replacement
1600	= 16 Ga. Polystyrene
1700	= 18 Ga. & 20 Ga. Polystyrene 6 Panel
32-1700	= 18 Ga. Polystyrene 6 Panel
1800	= 18 Ga. Polystyrene
1900	= 18 Ga. Polystyrene 2 Panel
2000	= 18 Ga. Honeycomb / pair active / inactive
6000	= 18 Ga. Double Egress
9000	= 18 Ga. 250° Temperature rise

**Polyurethane core available upon request. Consult factory.*

Steel

20	= Cold Rolled
20G	= A40 Galvanized
18	= Cold Rolled
18G	= A40 Galvanized
16	= Cold Rolled
16G	= A40 Galvanized

Door Style

F	= Flush 1 Panel
F2P	= Flush 2 Panel
F6P	= Flush 6 Panel

Prep

C	= Fed.161 Cylindrical
MB	= Fed.86 Mortise Edge (Blank panel both sides)
T	= Security lever
B	= Blank edge no reinforcement
BR	= Blank edge with reinforcement

Hinge Preparation

4 1/2" x 4 1/2"

Strike Preparation

MS	= 4 7/8" Universal
CS	= 2 3/4" Cylindrical
B	= Blank
BR	= Blank with rim exit device reinforcement

Closer Reinforcement

CRS	= Closer reinforcement standard
-----	---------------------------------

Frame Series

3000	=16 Ga. Double Egress
4000	=16 Ga. Masonry Frames
EXP4000	=16 Ga. Expandable Masonry Frames
4500	=16 Ga. Pair Frame
4100	=14 Ga. Masonry Frames
5000	=16 Ga. Drywall Frames
EXP5000	=16 Ga. Expandable Drywall Frames
7000	=16 Ga. Blank Masonry Sticks
7500	=16 Ga. Fabrication Components
7800	=16 Ga. Fabrication Components
8000	=16 Ga. Blank Drywall Sticks

Steel

18	= Cold Rolled
18G	= A40 Galvanized
16	= Cold Rolled
16G	= A40 Galvanized

Components

H	= Head
HJ	= Hinge Jamb
SJ	= Strike Jamb
BJ	= Blank Jamb
BSJ	= Blank Strike Jamb
BHJ	= Blank Hinge Jamb

Strike

4.875	= ASA (Universal)
-------	-------------------

Closer

CR	= Standard Arm
PR	= Parallel Arm

Handing

RH	= Right Hand
LH	= Left Hand

Anchors

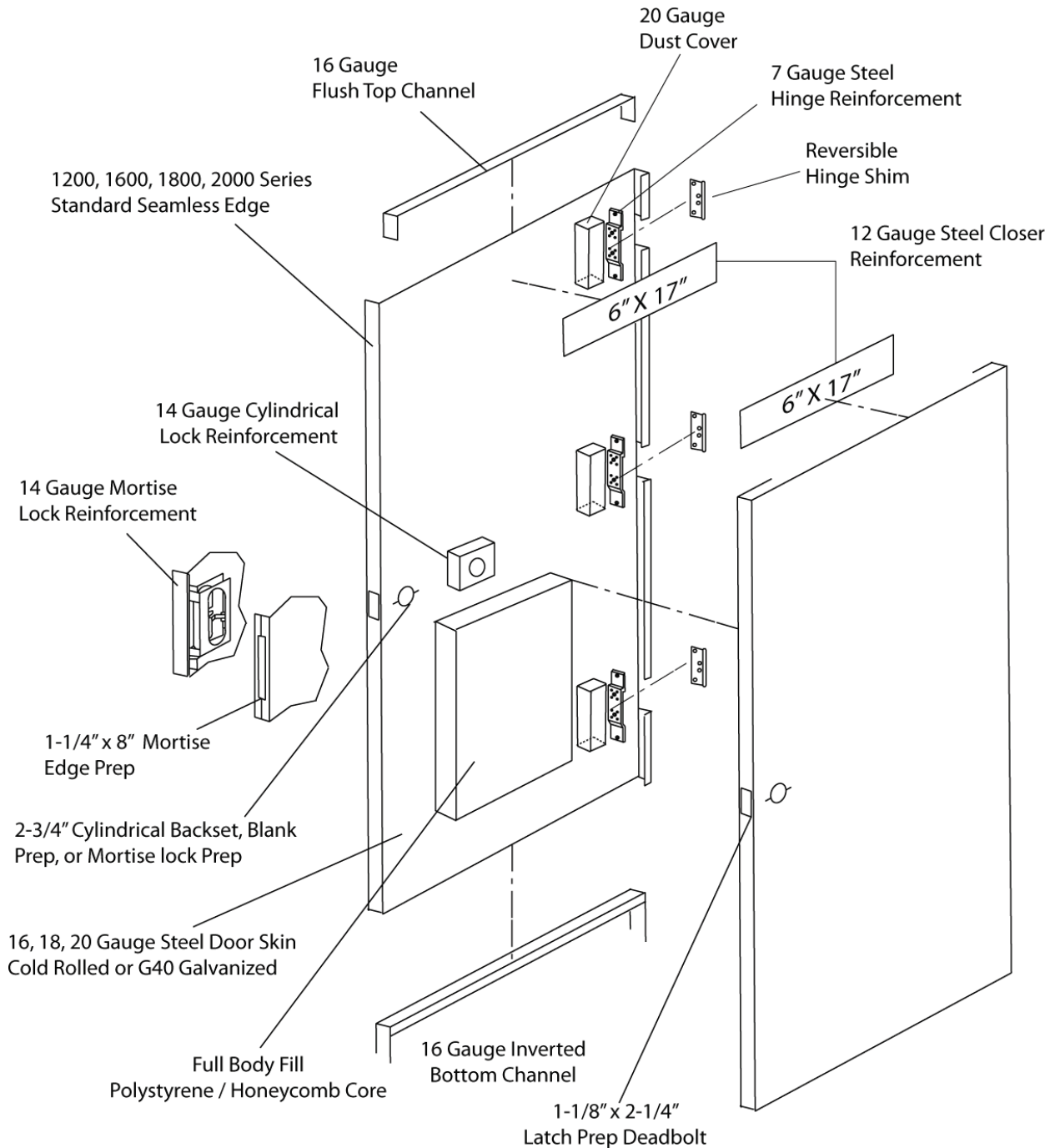
WS	= Wood Stud
SS	= Steel Stud
MA	= Masonry Wire

**** Special Note:***

All measurements are in feet and inches



Commercial Door Construction 1200, 1800 and 2000 Series





1700/32-1700 Series 6-Panel Door / 1900 Series 2-Panel Door

1700 Series 6-Panel Door

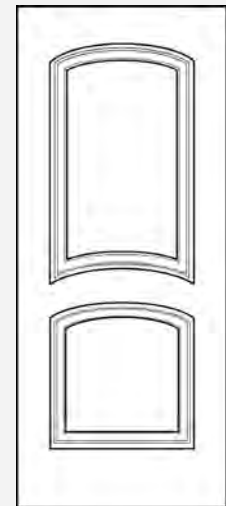
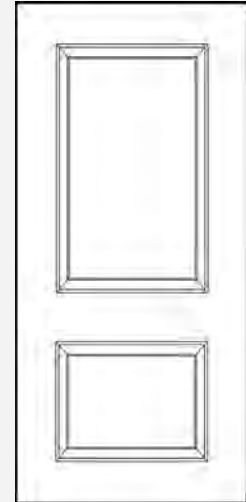
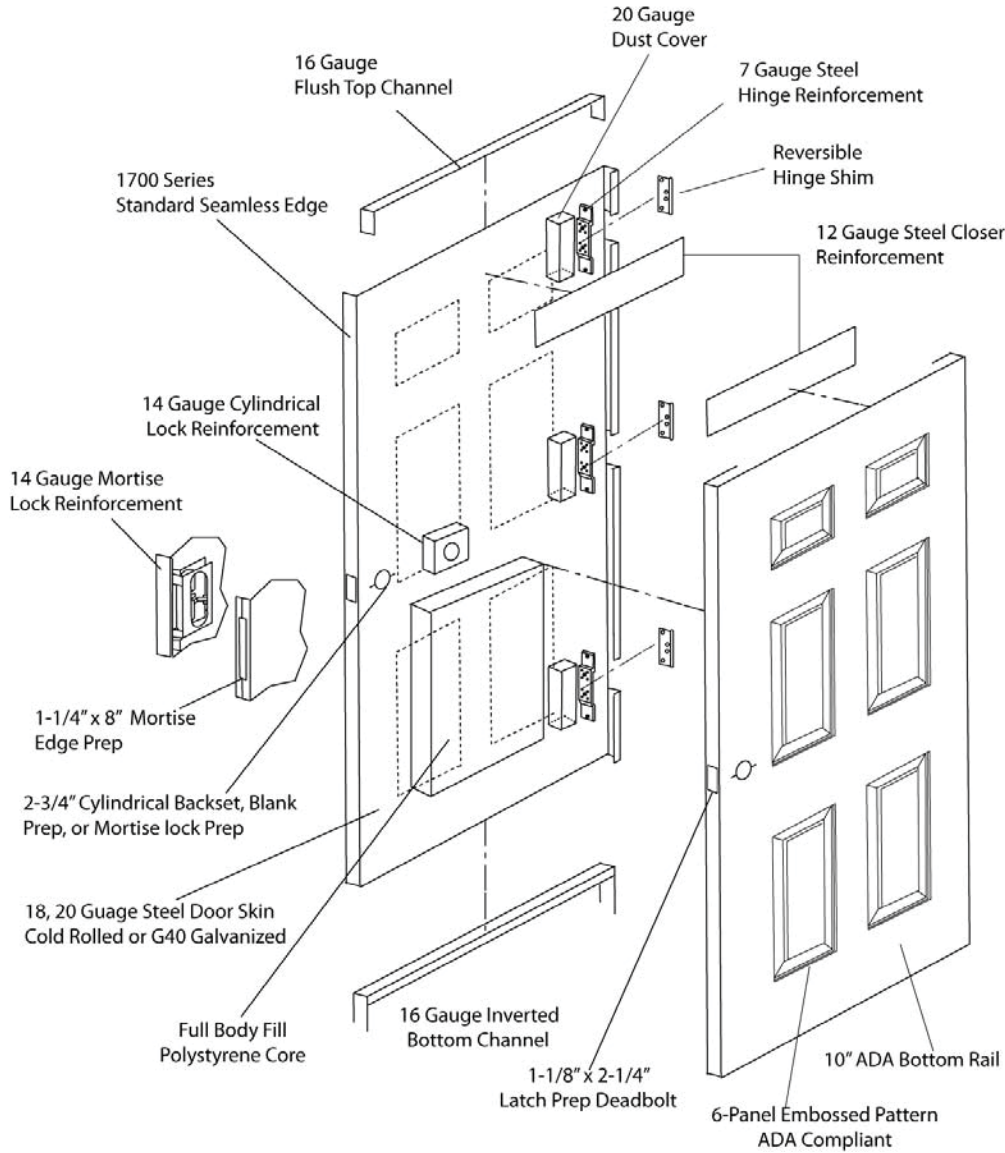
Sound Rated
18 Ga, STC 28
20 Ga, STC 27

32-1700 Series 6-Panel Door

Sound Rated
18 Ga, STC 32

1900 Series 2-Panel Door

Sound Rated, 18 Ga, STC 28

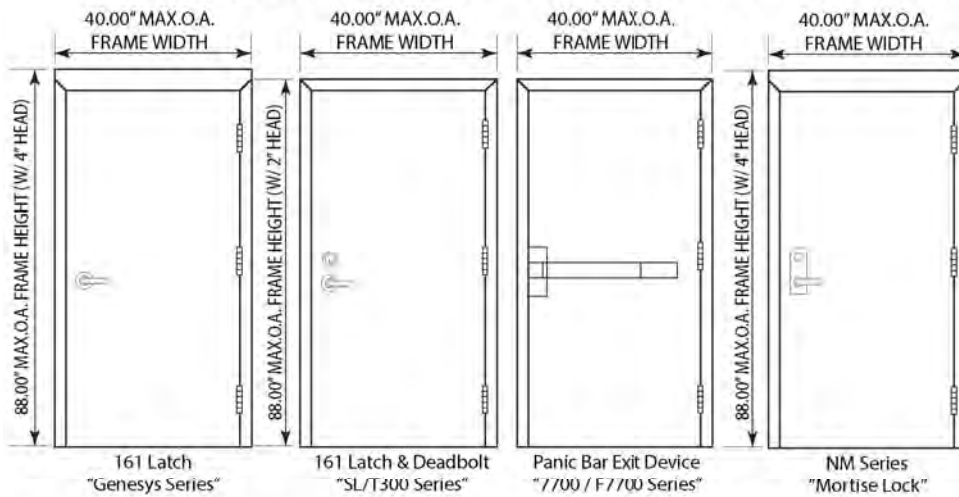




1800 Series Hurricane-Tested Florida Approved FL-13624

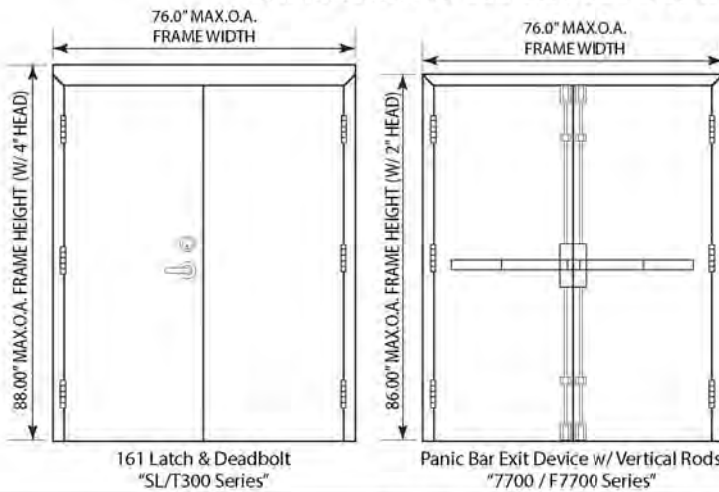


COMMERCIAL STEEL SINGLE DOOR INSWING / OUTSWING "IMPACT" (COMPONENT TESTED)



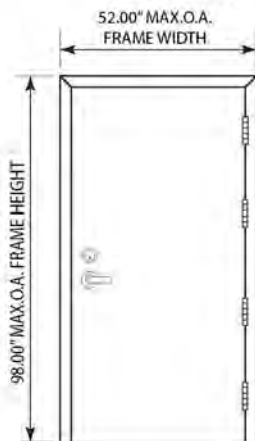
MAX FRAME DIMENSIONS	LOCK TYPE	DESIGN PRESSURE (PSF)			
		INSWING		OUTSWING	
		POSITIVE	NEGATIVE	POSITIVE	NEGATIVE
40.00" x 88.00"	161 LATCH & DEADBLOT "SL/T300 Series"	+55.0	-55.0	+55.0	-55.0
40.00" x 88.00"	161 LATCH "Genesys Series"	+70.0	-70.0	+70.0	-70.0
40.00" x 88.00"	PANIC BAR EXIT DEVICE "7700 / F7700 Series"	N/A	N/A	+70.0	-70.0
40.00" x 88.00"	NM Series "Mortise Lock"	+80.0	-80.0	+80.0	-80.0

COMMERCIAL STEEL DOUBLE DOOR INSWING / OUTSWING "IMPACT"



MAX FRAME DIMENSIONS	LOCK TYPE	DESIGN PRESSURE (PSF)			
		INSWING		OUTSWING	
		POSITIVE	NEGATIVE	POSITIVE	NEGATIVE
76.00" x 88.00"	161 LATCH & DEADBLOT "SL/T300 Series"	+55.0	-55.0	+55.0	-55.0
76.00" x 88.00"	PANIC BAR EXIT DEVICE w/ VERTICAL RODS "7700 / F7700 Series"	N/A	N/A	+70.0	-70.0

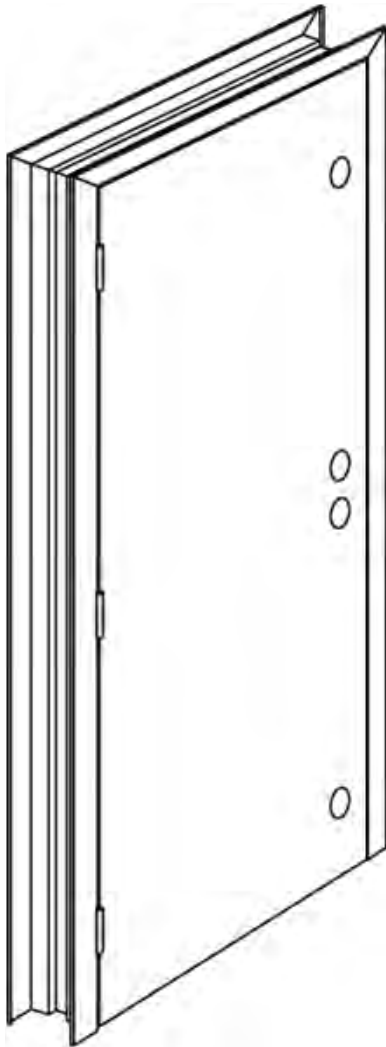
COMMERCIAL STEEL DOOR OUTSWING "IMPACT"



OVERALL FRAME DIMENSIONS	LOCK TYPE	DESIGN PRESSURE (OUTSWING ONLY)	
		POSITIVE	NEGATIVE
52.00" x 98.00"	161 LATCH (CAL-ROYAL)	+80.0	-80.0



MD1400 SERIES MAXIMUM DUTY DOORS & FRAMES



MAX-DUTY DOORS & FRAMES

- 14 Gauge Door
- 12 Gauge Frame
- 161 Prep and 3 Deadbolt Preps
- Polystyrene Core
- 2 3/4" Backset
- 3/8" Undercut
- 4 1/2" x 4 1/2" Heavy Duty Hinge Prep
- DKS Steel Door & Frame Locations

MAX DUTY DOORS

PART NUMBER	SIZE	PREP
MD2868	2866	C
MD3068	3068	C

MAX DUTY FRAMES

HAND	PART NUMBER	SIZE	DESCRIPTION
RH	MD4086	2868	5 3/4" 12 Gauge Frame with 3DL & ASA
LH	MD4087	2868	5 3/4" 12 Gauge Frame with 3DL & ASA
RH	MD4011	2868	8 3/4" 12 Gauge Frame with 3DL & ASA
LH	MD4012	2868	8 3/4" 12 Gauge Frame with 3DL & ASA
RH	MD4100	3068	5 3/4" 12 Gauge Frame with 3DL & ASA
LH	MD4101	3068	5 3/4" 12 Gauge Frame with 3DL & ASA
RH	MD4800	3068	8 3/4" 12 Gauge Frame with 3DL & ASA
LH	MD4801	3068	8 3/4" 12 Gauge Frame with 3DL & ASA

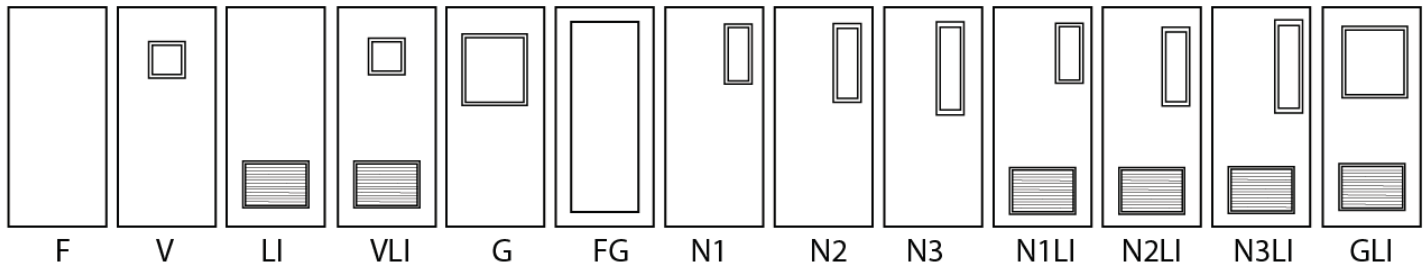


Door Specifications

Series	Type	Gauge	Core	CR/GALV	Edge	Handing	Thickness	Label	Max Size
1000	Flush	16, 18, 20	Polystyrene	CR/GALV	Corner Seam	Reversible	1 3/4"	3hr/PP/S	8'0" x 8'0"
1100	Flush	16, 18, 20	Polystyrene or Honeycomb	CR/GALV	Lock Seam	Reversible or Handed	1 3/4"	3hr/PP/S	8'0" x 8'0"
1200	Flush	20	Polystyrene	CR/GALV	Seamless	Reversible	1 3/4"	3hr/PP/S	8'0" x 8'0"
1300	Stiffened	18	Mineral Wool Fill	GALV	Seamless	Handed	1 3/4"	3hr/PP/S	8'0" x 8'0"
1400	Stiffened	16	Mineral Wool Fill	GALV	Seamless	Handed	1 3/4"	3hr/PP/S	8'0" x 8'0"
MD1400	Max Duty	14	Polystyrene	GALV	Seamless	Reversible	1 3/4"	90 mins	4'0" x 8'0"
WS1400	Wind Storm	14	SS	GALV	Seamless	Reversible	1 3/4"	90 mins	6'0" x 8'0"
1500	Retrofit Replacement	18	Polystyrene	CR	Corner Seam	Reversible	1 3/4"	N/A	
1600	Flush	16	Polystyrene	GALV	Seamless	Reversible	1 3/4"	3hr/PP/S	8'0" x 8'0"
1700	6-Panel	18, 20	Polystyrene	CR/GALV	Seamless	Reversible	1 3/4"	3hr/PP/S	8'0" x 8'0"
1800	Flush	18	Polystyrene	CR/GALV	Seamless	Reversible	1 3/4"	3hr/PP/S	8'0" x 8'0"
1900	2-Panel	18	Polystyrene	CR/GALV	Seamless	Reversible	1 3/4"	3hr/PP/S	6'0" x 7'0"
2000	Flush	18	Honeycomb	CR/GALV	Seamless	Reversible	1 3/4"	3hr/PP/S	8'0" x 8'0"
6000	Flush	18	Double Egress Honeycomb	CR/GALV	Seamless	Reversible	1 3/4"	3hr/PP/S	8'0" x 8'0"
9000	Temp. Rise 250 Degrees	18	Mineral core	CR/GALV	Seamless	Reversible	1 3/4"	90 mins	8'0" x 8'0"

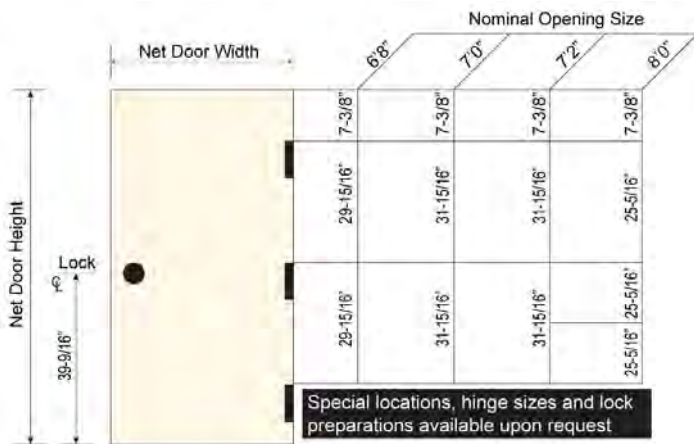
CR: Cold Rolled, PP: Positive Pressure, GALV: Galvanized, S: Smoke

Standard Door Types

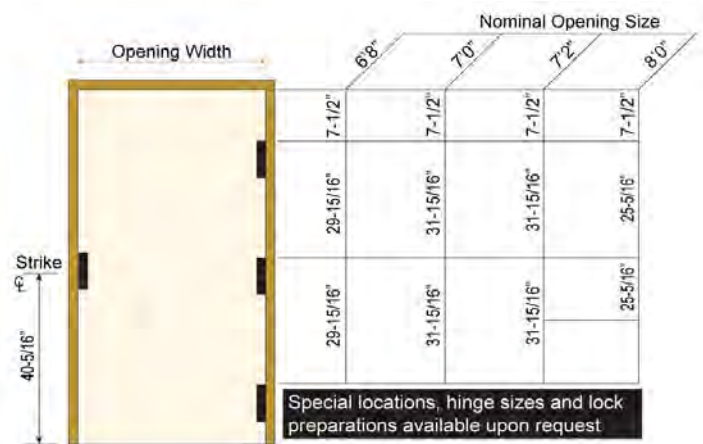


DOORS

Standard Hardware Locations 4-1/2" Hinge



FRAMES



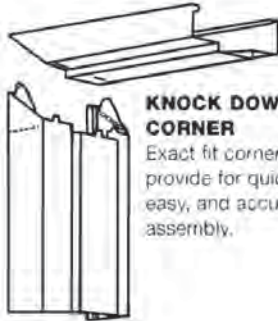


Welded or Knock Down Steel Frames

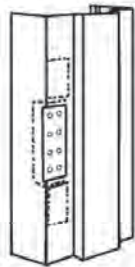
4G manufactures steel frames in standard sizes. These frames have the tightest tolerances in the industry. 4G steel frames are available in 16 gauge for 1-3/4" doors.

All standard frames are manufactured from cold rolled or galvanized A-40 steel.

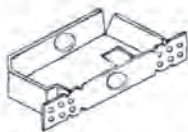
4G fire labeled steel frames carry up to 3-hour Intertek Mark.



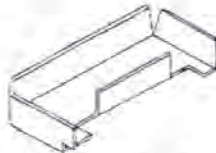
KNOCK DOWN CORNER
Exact fit corners provide for quick, easy, and accurate assembly.



HINGE REINFORCEMENT
7 gauge standard/heavy duty hinge reinforcement.



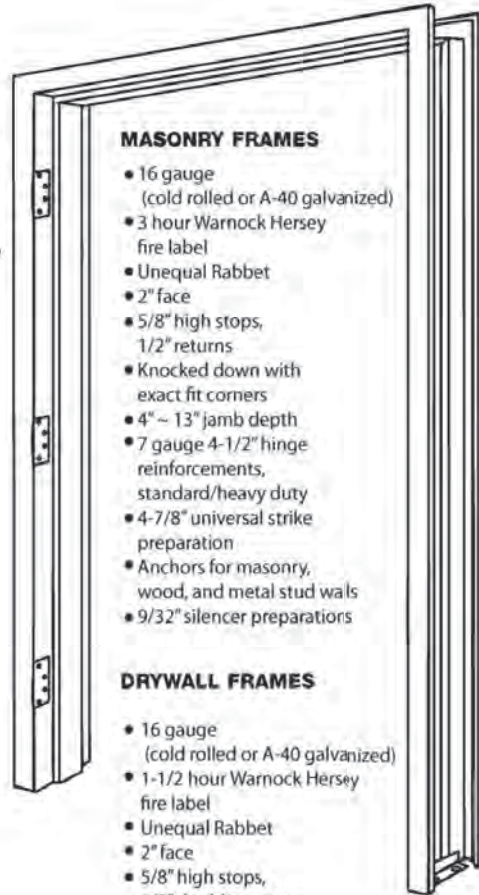
WOOD STUD ANCHOR



STEEL STUD ANCHOR



WIRE MASONRY



MASONRY FRAMES

- 16 gauge (cold rolled or A-40 galvanized)
- 3 hour Warnock Hersey fire label
- Unequal Rabbet
- 2" face
- 5/8" high stops, 1/2" returns
- Knocked down with exact fit corners
- 4" ~ 13" jamb depth
- 7 gauge 4-1/2" hinge reinforcements, standard/heavy duty
- 4-7/8" universal strike preparation
- Anchors for masonry, wood, and metal stud walls
- 9/32" silencer preparations

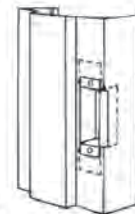
DRYWALL FRAMES

- 16 gauge (cold rolled or A-40 galvanized)
- 1-1/2 hour Warnock Hersey fire label
- Unequal Rabbet
- 2" face
- 5/8" high stops, 1/2" double returns
- Knocked down with exact fit corners
- 5-7/8", 6-1/4", 6-3/4", 7-1/4", 7-3/4", 8-1/4", 8-3/4" jamb depth
- Screw adjusting compressor anchors
- 7 gauge 4-1/2" hinge reinforcements, standard/heavy duty
- 4-7/8" universal strike preparation
- 9/32" silencer preparations

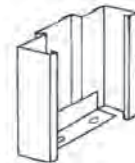
Also available in 18 gauge (Cold rolled and A-40 galvanized)



WELDED CORNER
Welded corners are tight fitting to provide a smooth seamless appearance.



STRIKE REINFORCEMENT
14 gauge strike reinforcements and mortar boxes are designed for accurate and universal function.



FLOOR ANCHOR
18 gauge floor anchors standard in all masonry frames.





EXPANDABLE MASONRY AND DRYWALL FRAMES

The 4G “EXP” adjustable frame is a three piece system designed to adjust to multiple depth wall conditions. Slide rails placed inside the frame throat allow the frame to accommodate all jamb from 5 5/8” to 8 3/4” using a single frame.

The frame material used in manufacturing is A-40 galvanized 16 gauge. Prime painted with two part epoxy baked on at the factory.

Three 7 gauge 4.5 x 4.5 hinge reinforcements for 6’8” and 7’0” heights. Four 7 gauge hinge reinforcements for 8’0” height frames. All locations are 4G standard. All hinge reinforcements are prepared to accept standard weight or heavy weight template hinges. The ASA strike reinforcement is 12 gauge material drilled and tapped to accept 12-24 screws.

The frame is prepared for silencer application.

The frame carries the 90 minute WHI mark as standard.

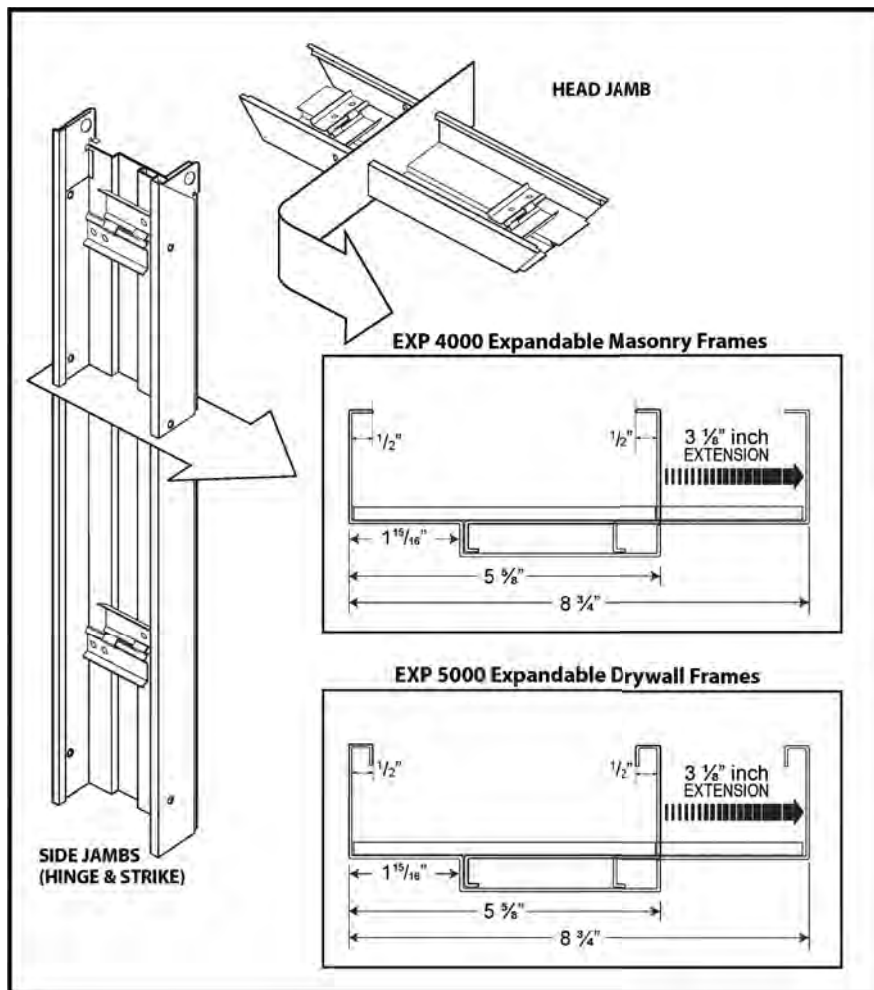
The EXP Frame is available in both 4G 4000 Series Masonry and 5000 Series Drywall configurations.



SLIDE RAILS



HINGE REINFORCEMENTS





DOOR & FRAME ACCESSORIES

MULTI-PURPOSE ADJUSTABLE DOOR ANCHOR	HEAVY DUTY ADJUSTABLE DRYWALL ANCHOR (HDADWA)
	
DOOR SILENCER (DSM21)	REVERSIBLE FLUSH BOLT STRIKE W/ BACKING PLATE (FLUSHSTRK-2)
	
DEAD LOCK REINFORCEMENT PLATE (DBCONV-2)	CLOSER REINFORCEMENT (CR01)
	
DOOR FRAME DRIP CAP (CR44640)	
	

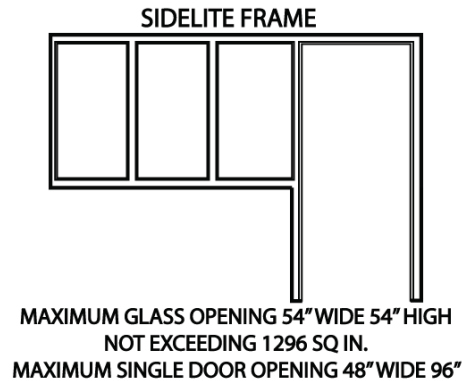
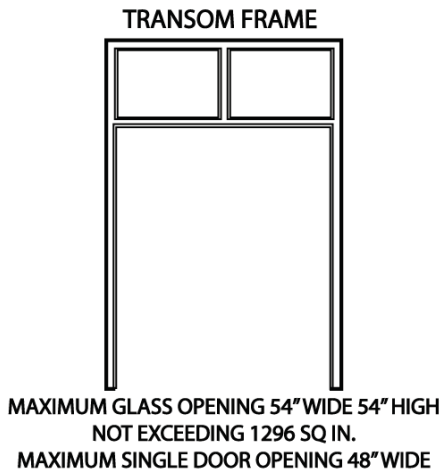
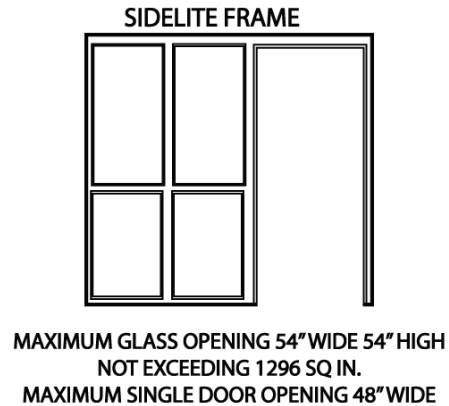
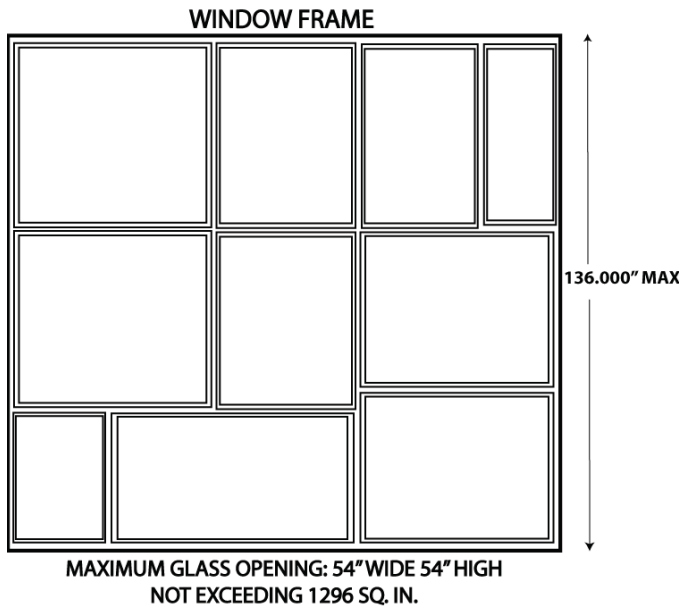
CHECK OUR NEW CATALOGUE FOR A COMPLETE LISTING OF DOOR AND FRAME ACCESSORY ITEMS



7500 Series Architectural Stick Components Sidelite, Transom, and Window Frames

Fabrication Components

TYPE
Hinge Jamb 10'0", 6'8", & 7'0" locations
Strike Jamb 10'0", 6'8", & 7'0" locations
Hinge Mullion 10'0", 6'8", & 7'0" locations
Strike Mullion 10'0", 6'8", & 7'0" locations
Blank Mullion 10'0"
Blank Stick Material 10'0"



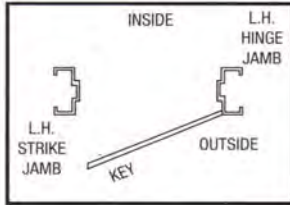


Door and Frame Handing Chart

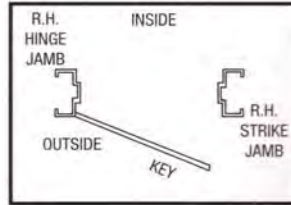
SINGLE SWING DOORS

When door swings towards you and hinges are on right side of the door – **Door is R.H.R. / Frame is L.H.**

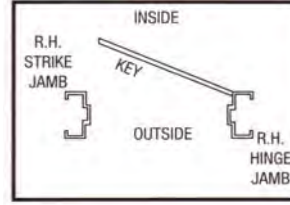
When door swings inside and hinges are on right side of the door – **Door is R.H. / Frame is R.H.**



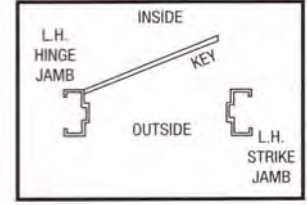
Right Hand Reverse Door
(Swing Out) Left Hand Frame



Left Hand Reverse Door
(Swing Out) Right Hand Frame



Right Hand Door (Swing In)
Right Hand Frame



Left Hand Door (Swing In)
Left Hand Frame

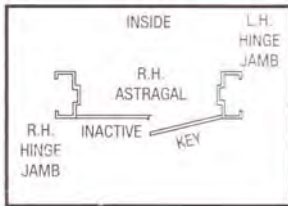
DOUBLE DOORS

When door leaf swing towards you and hinges are on the right side of active leaf –

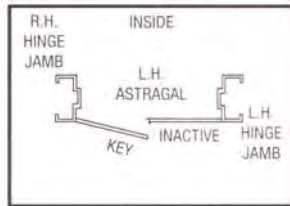
Door is R.H.R Active / Frame is L.H. Active

When door leaf swing inside and hinges are on the right side of active leaf –

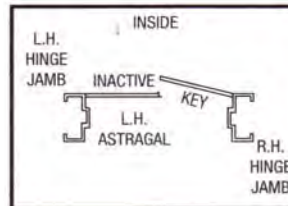
Door is R.H. Active / Frames is R.H. Active



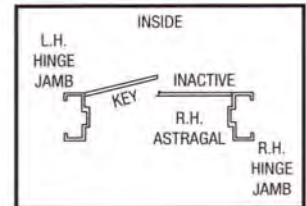
OUTSIDE
Pair of Doors – R.H.R. Active
(Swing Out)
Double Door Frame L.H. Active



OUTSIDE
Pair of Doors – L.H.R. Active
(Swing Out)
Double Door Frame R.H. Active



OUTSIDE
Pair of Doors – R.H. Active
(Swing In)
Double Door Frame R.H. Active



OUTSIDE
Pair of Doors – L.H. Active
(Swing In)
Double Door Frame L.H. Active

45-180 Minute Fire-Rated Steel Vision Kits*

SVL , Vision Lite Low Profile

ILLUSTRATION	SPECIFICATIONS
	<p>For use in fire rated door applications under positive and neutral pressure. Intertek testing certification in compliance to NFPA 252 (2000), UL 10C (2009), CAN / ULS104 (2010), NFPA (201) and CSI CODE 0870 00.</p> <p>Specifications:</p> <ul style="list-style-type: none"> - Low Profile Beveled Vision Lite - 20 Gauge Cold Rolled Steel - Mitered welded corners with counter sunk mounting holes - Single side attaching with matching mounting screws included - For use with 3/16" to 1/4" glass thickness - Designed for use with 1 3/4" doors only - Baked on powder coat finish - Color: Standard Bronze - Fastener: # 8 x 7/8" flathead phillips head SMS <p>Kit Options:</p> <ul style="list-style-type: none"> - Also available as a KIT or bundle which comes with the Frame, Glass and Glazing Tape. - Available glass types are Non-Fire Rated Tempered (1/4"), Fire Rated PROTECT3™ Wired Safety (1/4") and Pyran® Platinum F Glass (3/16") <p>Notes:</p> <ul style="list-style-type: none"> - Order size is equal to opening size - Visible vision opening is 2" under order size - Glass size dimension is 1" under complete order size - Follow all door manufacturer's instructions for use and installation of all products <p>* Refer to price list for list of fire rated sizes * Custom sizes are available. See price list.</p>

VL , Vision Lite Standard Profile for 3/16" to 1/4" Thick Glass Frames
10VL , Vision Lite Standard Profile for 1" Thick Glass Frames

ILLUSTRATION	SPECIFICATIONS
	<p>For use in fire rated door applications under positive and neutral pressure. Intertek testing certification in compliance to NFPA 252 (2000), UL 10C (2009), CAN/ULS104 (2010), NFPA (201) and CSI CODE 0870 00.</p> <p>Specifications:</p> <ul style="list-style-type: none"> - Standard Profile Beveled Vision Lite - 20 Gauge Cold Rolled Steel - Mitered welded corners with counter sunk mounting holes - Single side attaching with matching mounting screws included - For use with 3/16" to 1/4" glass thickness - Also available for 1" glass thickness (10VL Series) - Designed for use with 1 3/4" doors only - Baked on powder coat finish - Color: Standard Bronze - Fastener: # 8 x 7/8" flathead phillips head SMS <p>Kit Options:</p> <ul style="list-style-type: none"> - Also available as a KIT or bundle which comes with the Frame, Glass and Glazing Tape. - Available glass types are Non-Fire Rated Tempered (1/4"), Fire Rated PROTECT3™ Wired Safety (1/4") and Pyran® Platinum F Glass (3/16") <p>Notes:</p> <ul style="list-style-type: none"> - Order size is equal to opening size - Visible vision opening is 2" under order size - Glass size dimension is 1" under complete order size - Follow all door manufacturer's instructions for use and installation of all products <p>* Refer to price list for list of fire rated sizes * Custom sizes are available. See price list.</p>



Tempered, Pyran and Wire Shield

Glass for Low & Standard Profile Lite Kits

Tempered Glass (TEMP)

- Clear wire free glass recommended for non-fire rated applications
- Heat treated clear safety glass that breaks into small particles. Glass cannot be cut after manufacturing.
- Thickness: 1/4" (6mm)
- Light transmission: 86% approx
- Minimum size: 2" x 2"
- Maximum sheet size: 88" x 118"
- Fire Rating: Non-Fire Rated

WireShield (WS)

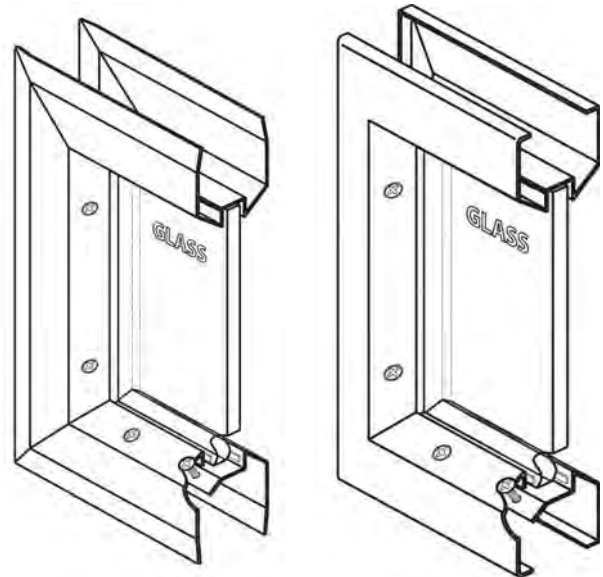
(PROTECT3™ Wired Safety Glass, Fire-Rated)

- Fire-Rated up to 90 minutes with hose stream
- UL classified and UL labeled
- Impact-Safety rated to ANSI Z97.1 and CPSC 16CFR1201 CAT I and II
- Passes 400 ft-lb impact tests
- Annealed single glazing with safety film applied to one side
- Passes air blast testing - minimum Level 3 @ 4.0PSI
- Embedded 3/4" x 3/4" wire mesh
- Light Transmission: 86% approx
- Thickness: 1/4" (6 mm)
- Minimum size: 4" x 4"
- Maximum sheet size: 36" x 84"

Pyran (PPF)

(PYRAN® PLATINUM F, Fire & Safety Rated)



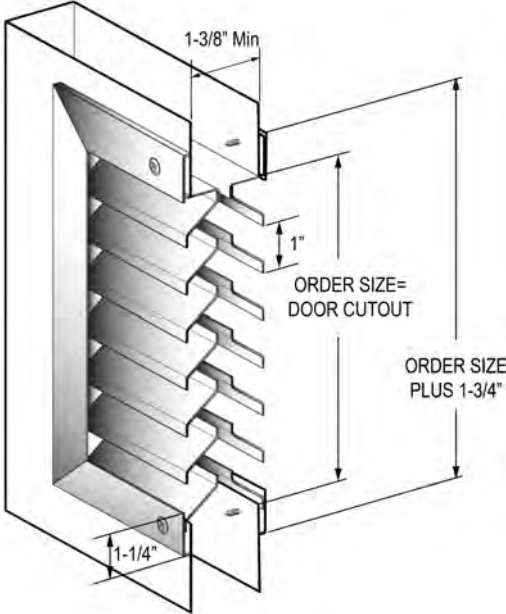
- Fire-Rated up to 90 minutes (180 minutes in doors) with required hose stream test
- Fire and Safety-Rated Glass Impact / Safety Rated to ANSI Z97.1 and CPSC 16CFR1201 CAT II
- Thickness: 3/16" (5mm). Weight: 2.5 lbs / ft²
- UL labeled standard, 3/16" thick glass ceramic.
- Surface applied heavy duty safety film. Install in fire listed and labeled vision lite frames.
- Light transmission: 80% approx.
- Minimum size: 4" x 6"
- Maximum sheet size: 43" x 77"





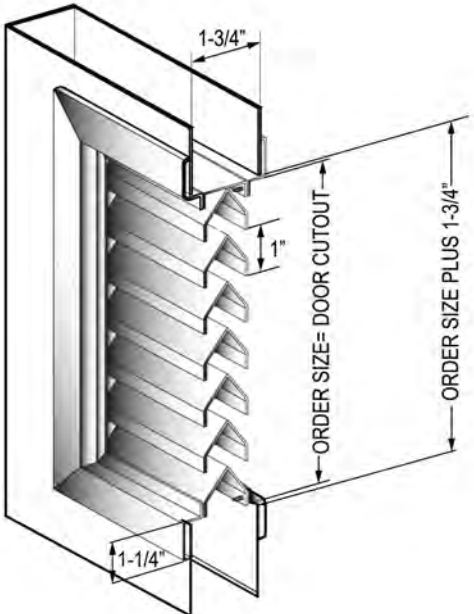
LISTINGS	Product	Rating	Application	Max Sq In (in ²)	Max Width (in)	Max Height (in)	Stop Height (in)
WS	PROTECT3™ SAFETY WIRED GLASS (WireShield)	Up to 45 min	Doors, Metal	2856	34	84	5/8
		Up to 90 min	Doors, Metal	552	12	46	5/8
		Up to 60 min	Doors, Wood	960	12	80	5/8
		Up to 45 min	Window and Sidelites	4608	48	96	5/8
		Up to 45 min	Transom Lites	3456	96	36	5/8
PPF	Platinum F	Up to 90 min	Other than doors	3422	76	76	5/8
		Up to 90 min	Doors (Non-Temp Rise)	2736	36	76	5/8
		180 min	Doors	100	12	33	1/2

90 Minute Fire-Rated Steel Louvers*

YLV, Divided Reverse "Y" Blade, Inverted Louvers

ILLUSTRATION	SPECIFICATIONS	DIMENSIONS
 	<p>For use in fire-rated door applications under positive and neutral pressure Intertek testing certification in compliance to NFPA 252 (2000), UL 10C (2009), NFPA 252 (2012), CSI CODE 08 90 00 Louvers and Vents</p> <p>Specifications:</p> <ul style="list-style-type: none"> - 18 Gauge cold rolled steel frame and blades - Mitered welded corner frame construction - Divided row "Y" blades spaced at 1" increments with blocked vision design - Counter sunk mounting holes with screws for each side of doors - Minimum door size thickness 1 3/8" - Baked on powder coat finish - Color: Standard Bronze - Fasteners: Phillips pan head screw # 8 x 3/4" <p>Notes:</p> <ul style="list-style-type: none"> - Order size equal to opening size - Follow all door manufacturer's instructions for use and installation of all louver products - Optional Insect screen, see price list * Refer to pricelist for list of fire rated sizes 	

VLV, Inverted Y-Blade Louvers

ILLUSTRATION	SPECIFICATIONS	DIMENSIONS
 	<p>For use in fire rated door applications under positive and neutral pressure Intertek testing certification in compliance to NFPA 252 (2000), UL 10C (2009), NFPA 252 (2012), CSI CODE 08 90 00 Louvers and Vents</p> <p>Specifications:</p> <ul style="list-style-type: none"> - 18 Gauge cold rolled steel frame and blades - Mitered welded corner frame construction - Reverse "Y" blades are frame supported at 1" increments, with blocked vision design - Single side mounting for non-corridor exposure with fastening screws included - Designed for use on 1 3/4" doors only - Baked on powder coat finish - Color: Standard Bronze - Fasteners: Phillips pan head screw # 8 x 3/4" <p>Notes:</p> <ul style="list-style-type: none"> - Order size equal to opening size - Follow all door manufacturer's instructions for use and installation of all louver products - Optional Insect screen, see price list * Refer to pricelist for list of fire rated sizes 	

60-90 Minute Fire-Rated Fusible Link Louvers

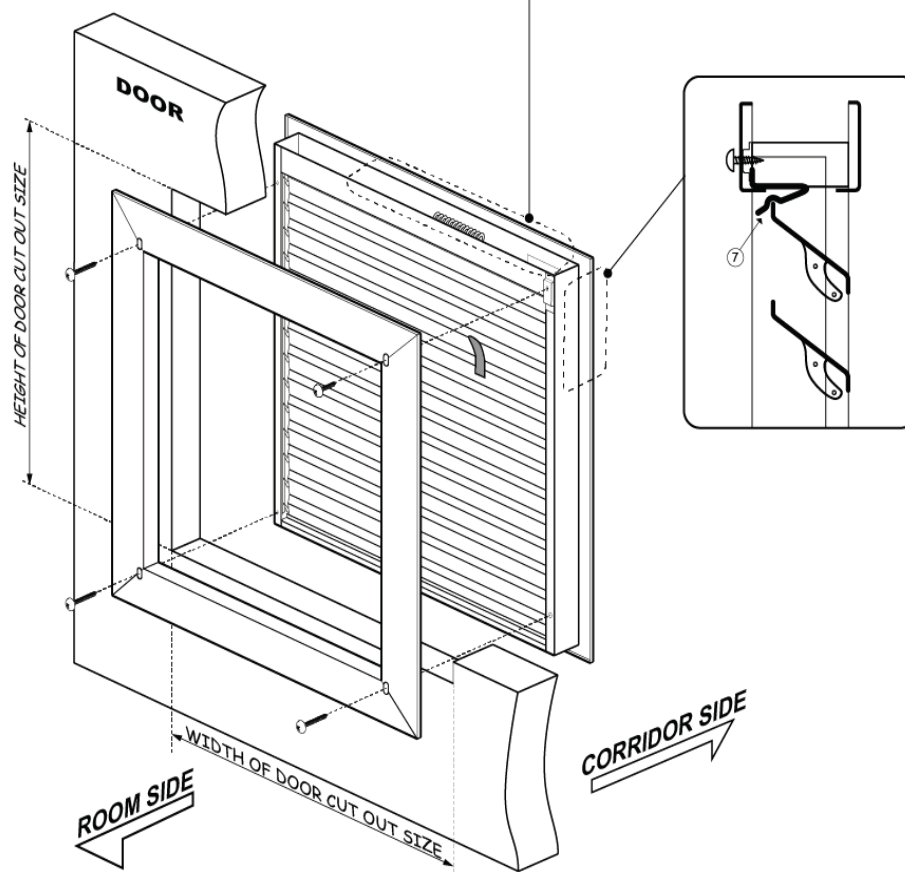
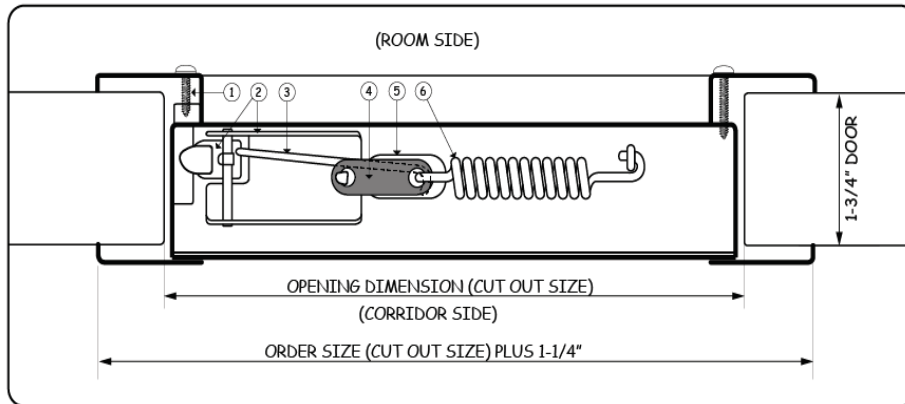
FLLV, Adjustable Fusible Link Louvers

Adjustable Fusible Link Louvers are recommended for use in rooms where ventilation is needed and at the same time isolating the room whenever fire is present. When louver is exposed to heat at 165°F, the fusible link trips and the spring loaded louver blades shut to form an air tight fire and smoke seal.

WHI Listing Mark with a 60-90 Minutes Fire Rating is stamped on the frame of the louvers.

Installation is easy. No need to drill holes for fasteners. All screws are mounted on the room side leaving the corridor side free of fasteners for security purposes.

Fuses are replaceable.



- 1 Mounting Screws - # 8 phillips head (3 x 3/4" LG & 1 x 1/2" LG)
- 2 Rocker Arm, Closing Bar and housing
- 3 "S" Hook - .080" Cadmium plated steel
- 4 Fusible link - Design temperature 165° F max
- 5 Heat opening - 1/2" x 1"
- 6 Tension spring - 3" LG x 1/2" dia x .063" thick Cadmium plated steel.
- 7 Flat Spring Clip

Standard Features:

- Material: 16 Gauge CRS Frame & Louver Blades
- Door: for 1 3/4" Doors only
- Fasteners: 3 x 3/4" LG & 1 x 1/2" LG
- Finish: Standard Bronze
- Free Flow Area: 45% free
- Construction:
 - Welded & mitered corners
 - Adjustable blades of 16-gauge CRS
 - Cadmium plated steel rivets
 - Cadmium plated steel tension spring
 - 1 9/16" deep louver assembly
 - Optional Insect screens, see price list



U.S. GREEN BUILDING COUNCIL LEED RATING STATEMENT

In accordance with our current records of LEED rating systems for applicability to architectural hollow metal doors and frames, we hereby certify the following:

Applicable LEED Programs and Credits:

- Recycled Content (Cold Rolled Steel)

4G DOOR SYSTEMS Cold Rolled Steel Product Lines	Post-Consumer Recycled Content	Post-Consumer Recycled Content	Total LEED Recycled Content Percentage
1000/1100/1200/1300/1400/1500/ 1600/1700/1800/1900/2000/6000/ 9000 DOOR SERIES	36.8%	6.6%	40.1%
3000/4000/4500/5000/7000/ 75000-78000 FRAME SERIES	36.8%	6.6%	40.1%

- Recycled Content (Galvanized Steel)

4G DOOR SYSTEMS Galvanized Product Lines	Post-Consumer Recycled Content	Post-Consumer Recycled Content	Total LEED Recycled Content Percentage
1000/1100/1200/1300/1400/1500/ 1600/1700/1800/1900/2000/6000/ 9000 DOOR SERIES	22.7%	2.4%	23.9%
3000/4000/4500/5000/7000/ 75000-78000 FRAME SERIES	22.7%	2.4%	23.9%

THIS PAGE INTENTIONALLY LEFT BLANK



4G Doors

31147 Plymouth Rd. Livonia, MI 48150 734-883-7468

sales@4gdoors.com www.4gdoors.com

CREDIT APPLICATION

DATE: _____

Company Name

BILLING ADDRESS: _____
CITY: _____ STATE: _____ ZIP: _____

Shipping Address

CITY: _____ STATE: _____ ZIP: _____
PHONE: _____ FAX: _____

Type of Business: _____ Years at present location: _____

Type of Organization

- Private Corporation Partnership Public corporation
- Individual Other _____

Principals

Email address _____

NAME	POSITION	HOME ADDRESS	PHONE#

Bank Reference

Bank: _____ Account # _____
Address: _____ Phone # _____

Trade References

(Minimum of 3 With fax #)

NAME	ADDRESS	PHONE#	FAX#

Credit Limit Requested

NEED MONTHLY STATEMENT: YES NO

In making this application for credit, the customer agrees to pay all invoices within 30 days from date of invoice and to pay a service charge of 1.5% per month, which is an annual percentage rate of 18% on all overdue balances. In the event a suit is necessary to collect any amount, the customer agrees to pay the seller's reasonable attorney fees and costs including attorneys fees for appeal.

Signature

_____ Title: _____ Date: _____

Office use only

Credit limit \$	_____	Account #	_____
Date approved:	_____	CR#	_____
Signature:	_____	Discount:	_____
Reps Signature	_____	Date	_____



TERMS and CONDITIONS

1. All published prices of 4G materials are shown at list price subject to discount for 4G approved vendors. All taxes by any governmental agency are in addition to the sale price of the material and are the responsibility of the approved purchasing vendor. All prices are subject to change without notice. Prices given are F.O.B. 4G warehouse at Livonia, Michigan, and does not include freight or special handling services.
2. All orders are subject to availability and may be cancelled by the ordering party within 36 working hours following notification of receipt. All orders are considered individual transactions and must be accompanied by a valid purchase order issued by the customer. A minimum \$75.00 charge will be applied for any changes made to an existing order.
3. Loss or damage of material conveyed to the customer by use of public cartage or carrier is the responsibility of the consignee (customer). Materials must be inspected by the consignee upon delivery and any damage found **MUST BE NOTED** on the Bill of Lading/Proof of Delivery RECEIPT. Filing or notification of freight claims against public conveyance is the obligation of the customer.
4. Return of Merchandise: Claims for shortages and/or incorrectly filled orders must be filed with 4G Doors Frames and Hardware within 10 days of receipt of material. Price adjustments must also be made in writing to 4G within 30 days from receipt of invoice. No returned goods will be accepted without written approval from 4G. Credit will be based upon written authorization by 4G. Such returns must be prominently marked with the return goods authorization number and shipped prepaid. Returns, if approved, are subject to a minimum restocking charge of 20% for unopened stock product and must be received in new material condition. Non stock materials and special orders are not returnable. Under no circumstances will 4G accept liability for incidental or consequential damages. Charge-backs will not be allowed. No cash refund given, exchange or replacement only.
5. Credit terms for all materials invoiced to the customer are 1% discount – 15 days, net 30 days, without hold back or retainage.
6. 4G Material Warranty: 4G Doors Frames and Hardware shall be warranted by manufacturer for a period of one year for all cold rolled prime painted products. Galvanized prime painted products shall be warranted for a period of 10 years. For either product, the warranty begins from date of first delivery from the manufacturer. The warranty is based upon the product being used with the application of hardware for which it was designed and that standard industry recommendations for installation, maintenance, and use are followed; including but not limited to, painting, adjustment, and normal use. This warranty is limited to the replacement or repair at the option of the manufacturer.
7. **AUTHORITY OF TERMS AND CONDITIONS:** The terms mentioned herein are the only terms 4G will honor, and any exceptions must be approved and confirmed by an officer of 4G Doors Frames and Hardware. Terms and Conditions of buyer's purchase orders will not be honored unless an agreement is reached in writing beforehand. 4G has the right to refuse credit to anyone, or has the right to refuse to fulfill any orders. No representations, arrangements or agreements not appearing on the order shall be binding upon 4G.



DOORS

2018




TABLE OF CONTENTS	
ITEM / SERIES	PAGE NO.
1000 Series Polystyrene Flush Doors, 18 Gauge, Corner Seam	D1
1100 Series Honeycomb Flush Doors, 18 Gauge, Corner Seam	D2
1112 Series Honeycomb Doors, Flush Top, 18 Gauge, Rolled Seam	D3
1200 Series Polystyrene Flush Doors, 20 Gauge, Seamless	D4
1300 Series Steel Stiffened Flush Doors, 18 Gauge, Beveled Seamless	D5
1400 Series Steel Stiffened Flush Doors, 16 Gauge, Beveled Seamless	D6
MD1400 Max Duty Doors & Frames, 14 Gauge	D7
1500 Series Retrofit / Replacement Doors, 18 Gauge, Corner Seam	D8
1600 Series Polystyrene/Honeycomb Flush Doors, 18 Gauge, Seamless	D9
1700 Series 6-Panel Polystyrene Flush Doors, 18 & 20 Gauge	D10
1800 Series Polystyrene Flush Doors, 18 Gauge, Seamless	D11-D12
1800 Series Seamless Polystyrene Doors with Cutouts, 18 Gauge	D13
Lite and Louver Cutout Size and Locations	D14
1800 Series Polystyrene Flush Inactive Doors, 18 Gauge	D15
1800 Series Hurricane Tested Florida Approved FL-13624	D16
1900 Series 2-Panel Doors, Stock Reversible, Seamless Polystyrene	D17
1900 Series 2-Panel Doors 8'0" , Stock Reversible, Seamless Polystyrene	D18
SP1900 Series Single Panel Doors, Stock Reversible, Seamless Polystyrene	D19
2000 Series Honeycomb Flush Doors, 18 Gauge, Seamless	D20
6000 Series Double Egress Honeycomb Doors, 18 Gauge, Seamless	D21
9000 Series Temperature Rise Doors, 16 & 18 Gauge	D22
CVR Series Doors, Stock Reversible Seamless Doors	D23
LV7000 Series Metal Louver Utility Doors	D24
Door and Frame Locations Guide	D25



1000 Series Flush Doors

STOCK REVERSIBLE CORNER SEAM POLYSTYRENE FLUSH DOORS 18 GAUGE

- Includes closer reinforcement, fire label WHI 3HR Positive Pressure and  Smoke label
- Other locations and sizes are available.
- STC rating 26
R value 5.24
U value 0.31

ITEM#	SIZE	LABEL	PREP
1013CS	3068	WHI3	C
1018CS			MB
1024CS			BR
1040CS	3070	WHI3	C
1044CS			MB
1047CS			BR
1055CS	4070	WHI3	MB
1066CS	4080	WHI3	MB

- All inactive doors are prepared for, and price includes:
 - ASA strike prep
 - Manual/Auto flush bolts prep
 - Loose flat astragal

Inactive Doors

HAND	ITEM#	SIZE	LABEL	PREP
RH	1018CSIA	3068	WHI3	FB/ASA
LH				
RH	1044CSIA	3070	WHI3	FB/ASA
LH				



1100 Series Flush Doors

STOCK REVERSIBLE CORNER SEAM HONEYCOMB FLUSH DOORS 18 GAUGE

- 18 Gauge Cold Rolled Steel
- Reversible, Non-Handed
- Mechanical Inter-Lock Edge System
- 14 Gauge Closer Reinforcement
- 14 Gauge Lock Reinforcement
- 10 Gauge Hinge Reinforcement
- 18 Gauge Flush Top and Inverted Bottom Cap
- Honeycomb Core
- Grey Powder Coated Prime
- 90 Minute WHI Label

ITEM#	SIZE	LABEL	PREP
1113EC	3068	WHI90	C
1118EC			MB
1124EC			BR
1140EC	3070	WHI90	C
1144EC			MB
1147EC			BR

NOTES:

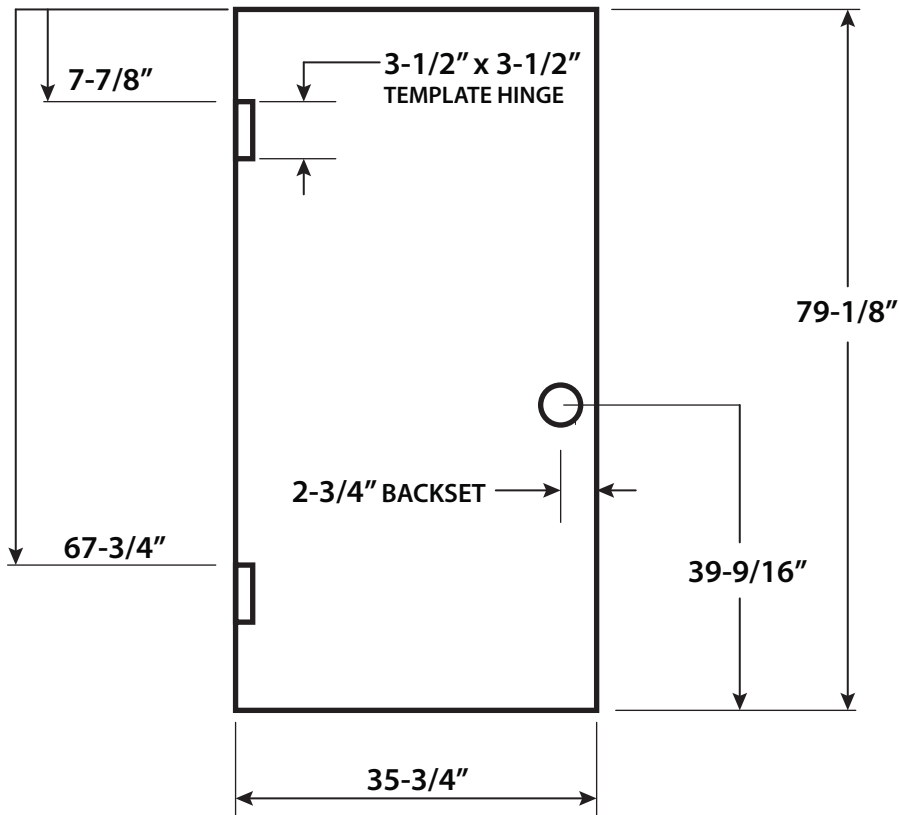
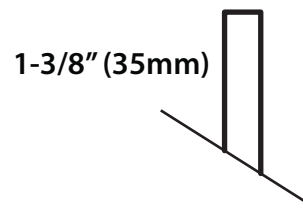


1112 Series Doors

STOCK ROLLED SEAM HONEYCOMB CORE FLUSH TOP 18 GAUGE

- 1-3/8" Thick
- Two Hinge 3.5" X 3.5"
- C-Prep
- Non-Handed
- Inverted Bottom Non-Fire Rated

HAND	ITEM#	SIZE	PREP
NON-HANDED	1112SPL	3068	C





1200 Series Flush Doors

STOCK REVERSIBLE SEAMLESS POLYSTYRENE FLUSH DOORS 20 GAUGE

- Includes closer reinforcement, fire label WHI 3HR Positive Pressure **(S)** Smoke label.
- Fire rated doors over 3'0" in width and up to 8'0 in height are available upon request.
Other locations and sizes are available. Consult factory.

ITEM#	SIZE	PREP
1201	3068	C
1205		MB
1207	3070	C
1209		MB
Galvanized		
1213	3068	C
1218	3070	

NOTES:



1300 Series Steel Stiffened Flush Doors

STOCK HANDED / BEVELED SEAMLESS GALVANIZED POLYSTYRENE FLUSH DOORS 18 GAUGE

- Includes closer reinforcement, fire label WHI 3HR Positive Pressure **(S)** Smoke label.
- Fire rated doors over 3'0" in width and up to 8'0 in height are available upon request.
Other locations and sizes are available. Consult factory.

HAND	ITEM#	SIZE	PREP
RH	1316	3068	C
LH			
RH	1317	3068	MB
LH			
RH	1318	3068	BR
LH			
RH	1335	3070	C
LH			
RH	1336	3070	MB
LH			
RH	1337	3070	BR
LH			



1400 Series Steel Stiffened Flush Doors

**STOCK HANDED / BEVELED SEAMLESS STEEL STIFFENED DOORS
A40 GALVANIZED, 16 GAUGE**

- Includes closer reinforcement, fire label WHI 3HR Positive Pressure **(S)** Smoke label.
- Other locations and sizes are available. Consult factory.
- Hinge side is square and lock side beveled.

HAND	ITEM#	SIZE	PREP
RH	1435	3070	C
LH			
RH	1436	3070	MB
LH			
RH	1437	3070	BR
LH			

NOTES:



MD1400 Max Duty Doors & Frames

**STOCK REVERSIBLE / POLYSTYRENE DOORS
A40 GALVANIZED, 14 GAUGE**

<i>DOORS</i>	<i>FRAMES</i>
<ul style="list-style-type: none"> • 14 Gauge Masonry Door • 161 Prep and 3 Deadbolt Preps • 4 1/2" X 4 1/2" Heavy Duty Hinge Preparation • DKS Steel Door Locations • WHI Fire and smoke label 20 min to 3 hour • 2 3/4" Backset • 3/8" Undercut 	<ul style="list-style-type: none"> • 12 Gauge Masonry Frame • ASA Strike Preparation • 4 1/2" X 4 1/2" Heavy Duty Hinge Preparation • DKS Steel Frame Locations • WHI Fire and smoke label 20 min to 3 hour • Other jamb depths available. Consult Factory • Price includes anchors. Please specify type WS=Wood, SS=Steel Stud, MA=Masonry Wire

AVAILABLE AT TEXAS WAREHOUSE ONLY

MAX DUTY DOORS

ITEM#	SIZE	DESCRIPTION
MD2868	2868	Max-Duty Door
MD3068	3068	

MAX DUTY FRAMES

ITEM#	SIZE	HAND	DESCRIPTION
MD4086	2868	RH	5 3/4" 12 Gauge Frame w/ 3DL & ASA
MD4087		LH	
MD4011	2868	RH	8 3/4" 12 Gauge Frame w/ 3DL & ASA
MD4012		LH	

MD4100	3068	RH	5 3/4" 12 Gauge Frame w/ 3DL & ASA
MD4101		LH	
MD4800	3068	RH	8 3/4" 12 Gauge Frame w/ 3DL & ASA
MD4801		LH	



1500 Series Retrofit / Replacement Doors

STOCK REVERSIBLE CORNER SEAM POLYSTYRENE FLUSH DOORS 18 GAUGE COLD ROLLED / GALVANIZED

- Includes closer reinforcement.
- 7 Gauge Full Length Hinge Reinforcement
- Reversible Hinge Shims
- Lock Side Reinforced
- Other sizes are available. Consult factory.

ITEM#	SIZE	GAUGE
1524	3068	18
1544	2670	
1545	2870	
1547	3070	
1564	3080	
1548	4070	
*1549	3670	
*1569	3080	
*1565	4080	
GALVANIZED		
*G1524	3068	18
*G1547	3070	
*G1564	3080	
*G1549	3670	
*G1554	4070	
*G1565	4080	

***AVAILABLE IN HOUSTON WAREHOUSE ONLY**

NOTES:



1600 Series Flush Doors

STOCK REVERSIBLE SEAMLESS POLYSTYRENE/HONEYCOMB FLUSH DOORS 16 GAUGE GALVANIZED

- Includes closer reinforcement, fire label WHI 3HR Positive Pressure **(S)** Smoke label.
- *Galvanized, Flush Top Inverted Bottom
- 12 Gauge Closer Reinforcement, 7 Gauge Hinge Reinforcement
- Square Edged, Non-Handed
- Choice of 3 Standard Lock Reinforcements (Cylindrical, FED 86 Edge, Blank PB Reinforced)

UP TO 8'0 TALL DOORS

ITEM#	SIZE	GAUGE	PREP
1622	3068	*16G	C
1601			MB
1603			BR
1604	3070	*16G	C
1608			MB
1611			BR
1614	3080	*16G	C
1617			MB
1620			BR
1677	3470	*16G	C
1678			MB
1679			BR
1649	3670	*16G	C
1650			MB
1652			BR
1661	3680	*16G	MB
1656	3870	*16G	C
1657			MB
1658			BR
1654	4070	*16G	C
1655			MB
1659			BR

9'0 TALL DOORS

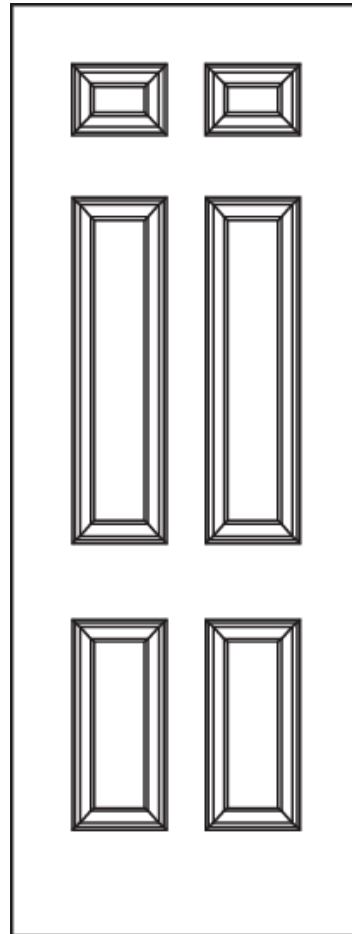
NON-STOCK, SPECIAL FACTORY ORDER			
ITEM#	SIZE	GAUGE	PREP
1680	3090	*16G	C
1681			MB
1682			BR
1683	3490	*16G	C
1684			MB
1685			BR
1686	3690	*16G	C
1687			MB
1688			BR
1689	3890	*16G	C
1690			MB
1691			BR
1692	4090	*16G	C
1693			MB
1694			BR
3/8" Bottom Undercut			



1700 Series 6 Panel Flush Doors

STOCK REVERSIBLE SEAMLESS POLYSTYRENE 6-PANEL DOORS 18 & 20 GAUGE

- Price includes closer reinforcement, fire label WHI 3HR Positive Pressure **(S)** Smoke label.
- Fire rated doors over 3'0 in width and up to 8'0 in height are available upon request.
- Other locations and sizes are available. Consult factory.
- 6 Panel STC rating
 20 Gauge STC 27
 18 Gauge STC 28
 18 Gauge STC 32 (SPECIAL ORDER ONLY)
 R value 5.24
 U value 0.31



1700 SERIES 6-PANEL STC RATING

ITEM#	SIZE	GAUGE	PREP
1700	3068	18	C
1701			MB
1702			BR
1703			C/DL 5 1/2" C.T.C
1709			C/DL 4" C.T.C
1705			3070
1706	MB		
1707	BR		
1708	C/DL 5 1/2" C.T.C		
1721	3068	20	C
1783	3070		
1763	3080	18	C
1764			MB
*1765			BR
18 GAUGE GALVANIZED			
**1723	3068	18	C
1722			MB
1728			BR
**1730	3070	18	C
1724			MB
*1732			BR

* Non-stock. Special order only.
 ** Stock only in PA.

32-1700 SERIES STC-32

NON-STOCK, SPECIAL FACTORY ORDER ALLOW 10-12 WEEKS


ITEM#	SIZE	GAUGE	PREP
32-1700	3068	18	C
32-1701			MB
32-1702			BR
32-1703			C/DL
32-1705	3070	18	C
32-1706			MB
32-1707			BR
32-1708			C/DL



1800 Series Flush Doors

STOCK REVERSIBLE SEAMLESS POLYSTYRENE FLUSH DOORS

18 GAUGE

- Includes closer reinforcement, fire label WHI 3HR Positive Pressure  Smoke label.
- STC rating 26, R value 5.24, U value 0.31
- Other locations and sizes are available.

DOOR MANUFACTURERS CHART

CE	Ceco Location (non handed)	DE	Dean Steel Location (non handed)
CU	Curries Location (non handed)	REP	Republic Location (non handed)
ME	Mesker Location, use DE Location	PIO	Pioneer Location, available at PA warehouse only (non handed)

ITEM#	SIZE	PREP
1801	2068	C
1802		MB
1805		BR
1835	2070	C
1836		MB
1838		BR
1851	2080	C
1857		BR
1810	2468	C
1811		MB
1875	2470	C
1876		MB
1807	2668	C
1808		MB
1809		BR
1891	2670	C
1892		MB
1893		BR
1828	2680	C
1829		MB
1825	2868	C
1826		MB
1894	2870	C
1895		MB
1869	21068	C
1870		MB
1871		BR
1897	21070	C
1898		MB
1899		BR
1886	21080	C
1889		BR

ITEM#	SIZE	PREP
1813	3068	C
1815		C/DL 4" CTC
1816		C/DL, ADA 7-11/16" CTC
1817		C/DL, 5-1/2" CTC
1818		MB
1824		BR
1413		T
1839	3070	C/DL, ADA 7-11/16" CTC
1840		C
1841		C/DL, 5-1/2" CTC
1843		C/DL, 4" CTC
1844		MB
1847		BR
1440		T
1848	3072	C
1845		MB
1846		BR
1863	3080	C
1862		MB
1864		BR
1819	3468	C
1820		MB
1806		BR
1821	3470	C
1814		MB
1830	3668	C
1831		MB
1832		BR
1849	3670	C
1850		MB
1852		BR
1860	3680	C
1861		MB


CONTINUED NEXT PAGE



1800 Series Flush Doors

STOCK REVERSIBLE SEAMLESS POLYSTYRENE FLUSH DOORS

18 GAUGE

- Includes closer reinforcement, fire label WHI 3HR Positive Pressure  Smoke label.
- STC rating 26, R value 5.24, U value 0.31
- Other locations and sizes are available.

DOOR MANUFACTURERS CHART

CE	Ceco Location (non handed)	DE	Dean Steel Location (non handed)
CU	Curries Location (non handed)	REP	Republic Location (non handed)
ME	Mesker Location, use DE Location	PIO	Pioneer Location, available at PA warehouse only (non handed)


CONTINUATION		
ITEM#	SIZE	PREP
1834	3868	C
1837		MB
1842		BR
1853	3870	C
1858		MB
1856		BR
1872	4068	C
1873		MB
1874		BR
1854	4070	C
1855		MB
1859		BR
1865	4080	C
1866		MB
1868		BR
GALVANIZED		
1880	3068	C
1881		MB
1882		BR
1884	3070	C
1887		MB
1890		BR
1885		T
GALVANIZED CURRIES LOCATION		
CUG1824	3068	BR
CUG1840	3070	C
CUG1844		MB
CUG1847		BR
GALVANIZED CECO LOCATION		
CEG1813	3068	C
CEG1818		MB
CEG1824		BR
CEG1840	3070	C
CEG1844		MB
CEG1847		BR

ITEM#	SIZE	PREP
CECO LOCATION DOORS		
CE1813	3068	C
CE1818		MB
CE1840	3070	C
CE1844		MB
CE1847		BR
CURRIES LOCATION DOORS		
CU1813	3068	C
CU1818		MB
CU1824		BR
CU1840	3070	C
CU1844		MB
CU1847		BR
CU1854	4070	C
CU1855		MB
DEAN STEEL LOCATION DOORS		
DE1813	3068	C
DE1818		MB
DE1824		BR
DE1840	3070	C
DE1844		MB
DE1847		BR
REPUBLIC LOCATION DOORS		
**REP1813	3068	C
**REP1818		MB
**REP1824		BR
REP1840	3070	C
REP1844		MB
REP1847		BR
**Use 1813, 1818, 1824 for REP1813, REP1818 and REP1824 respectively.		

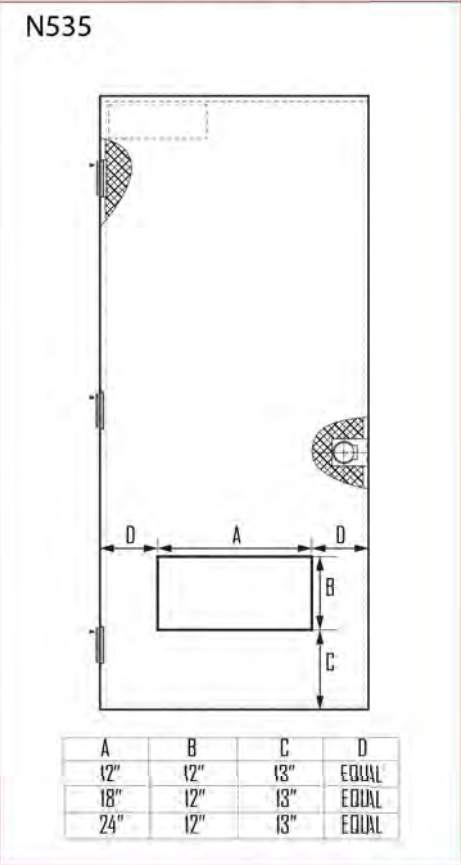
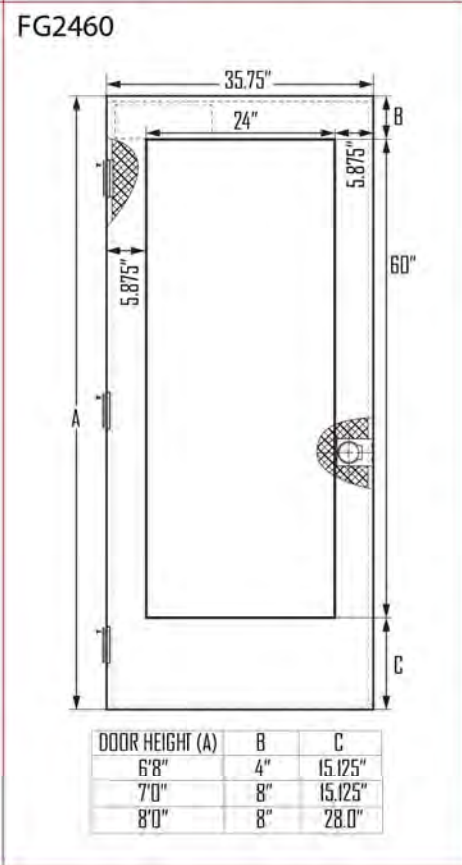
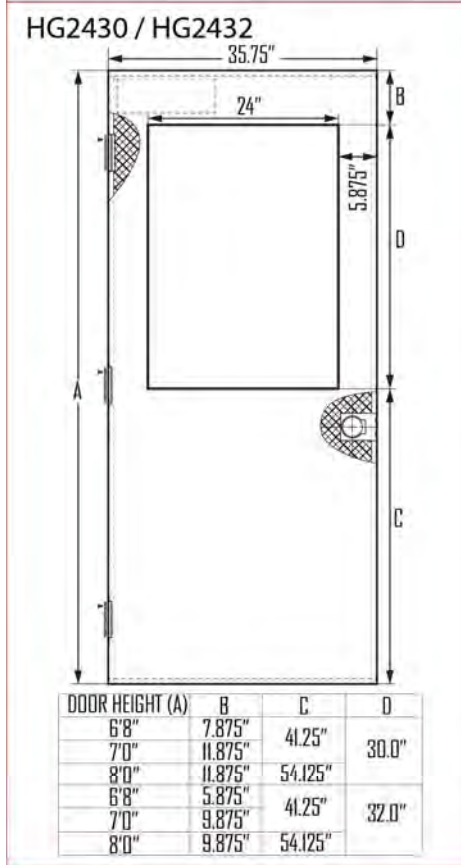
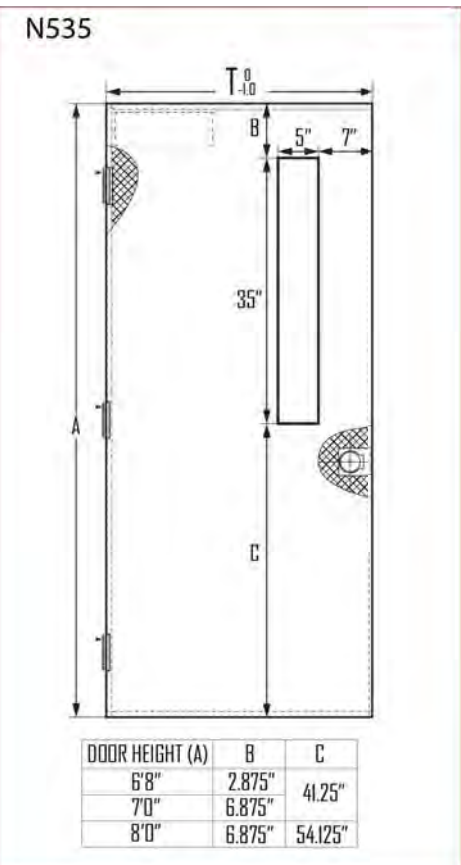
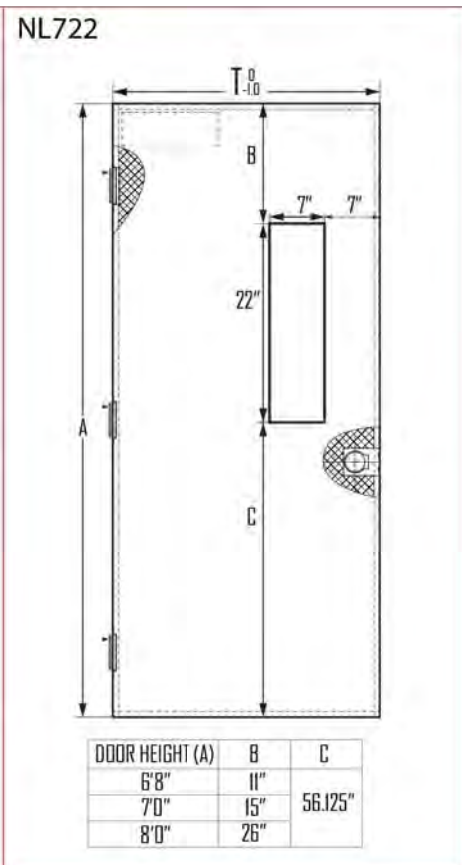
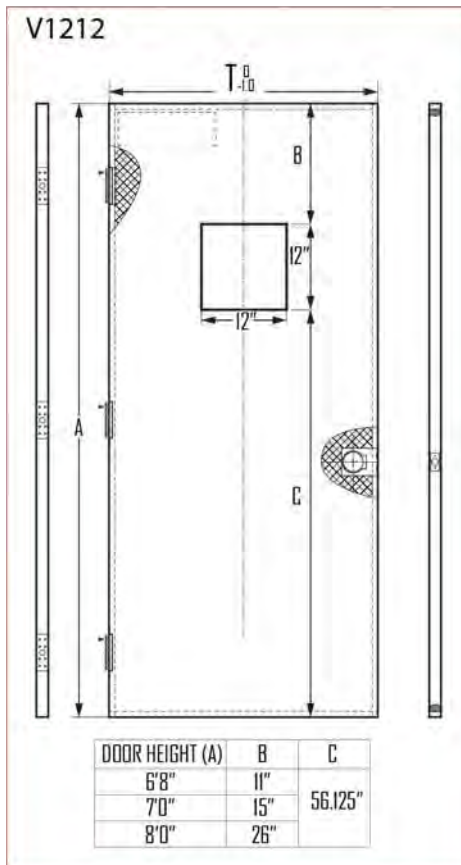


1800 Series Seamless Doors with Cutouts

STOCK REVERSIBLE SEAMLESS POLYSTYRENE DOORS WITH CUTOUTS 18 GAUGE

- Includes closer reinforcement, appropriate WHI fire label Positive Pressure,  Smoke label.
- STC rating 26, R value 5.24, U value 0.31
- Other locations and sizes are available.

ITEM#	SIZE	DESCRIPTION	LOCK	CUT OUT SIZE
1813V	3068	Vision Lite	C	12 x 12
1818V			MB	
1840V	3070		C	
1844V			MB	
1813NL	3068	Narrow Lite	C	7 x 22
1813N				5 x 35
1840NL	3070			7 x 22
1840N				5 x 35
1813HG	3068	Half Glass	C	24 x 30
1840HG	3070			24 x 32
1840FG	3070	Full Glass	C	24 x 60
1844FG			MB	
1813L1-1212	3068		C	12 x 12
1818L1-1212			MB	
1840L1-1212	3070		C	
1844L1-1212			MB	
1813L1-1812	3068	Louver	C	18 x 12
1818L1-1812			MB	
1840L1-1812	3070		C	
1844L1-1812			MB	
1813L1-2412	3068		C	24 x 12
1818L1-2412			MB	
1840L1-2412	3070		C	
1844L1-2412			MB	





1800 Series Polystyrene Flush Inactive Doors

FOR ALL MAJOR MANUFACTURERS LOCATION
18 GAUGE

- Includes closer reinforcement, fire label WHI 3HR, Positive Pressure **S** Smoke label.
- Other locations and sizes are available.

DOOR MANUFACTURERS CHART

CE	Ceco Location (non handed)
CU	Curries Location (non handed)
REP	Republic Location (non handed)

ALL INACTIVE DOORS ARE PREPARED FOR, AND PRICES INCLUDES:

- ASA STRIKE PREP
- MANUAL / AUTO FLUSH BOLT PREP
- LOOSE WRAP AROUND HANDED ASTRAGAL WITH FLUSHBOLT AND ASA PREP

* To be used for Steel Craft, Amweld and Republic locations.

** To be used for Steel Craft, Amweld locations.

Inactive Doors

HAND	ITEM#	SIZE
RH	1807 IA	2668
LH		
RH	1826 IA	2868
LH		
RH	CE1813 IA	3068
LH		
RH	1813 IA *	
LH		
RH	CU1813 IA	
LH		
RH	CE1840 IA	3070
LH		
RH	CU1840 IA	
LH		
RH	REP1840 IA	
LH		
RH	1840 IA **	
LH		
RH	1863 IA	3080
LH		
RH	1872 IA	4068
LH		

1800 & 1600 Series Polystyrene Flush Doors

PREPARED FOR FULL MORTISE CONTINUOUS HINGE APPLICATION

STOCK REVERSIBLE CORNER SEAM POLYSTYRENE FLUSH DOORS

- Price includes closer reinforcement, fire label WHI 3HR, Positive Pressure **S** Smoke label.
- 15/32" undercut on door width to fit most major manufacturers continuous hinge prep.

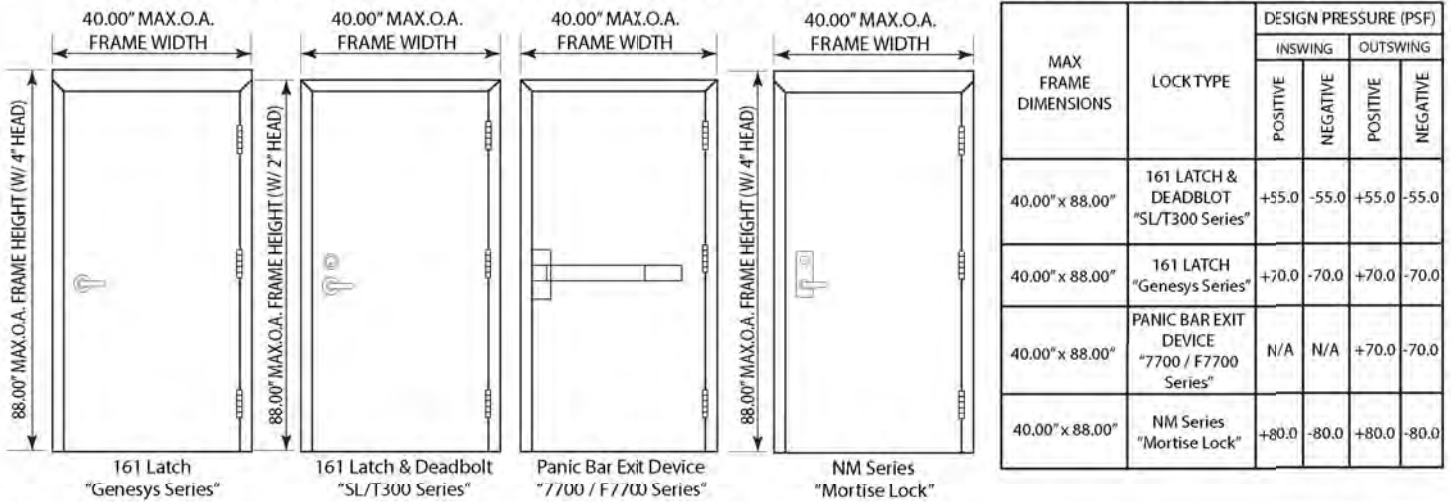
18 GAUGE		
ITEM#	SIZE	PREP
1813CH	3068	C
1818CH		MB
1824CH		BR
1840CH	3070	C
1847CH		BR
1863CH	3080	C
1862CH		MB
1864CH		BR

16 GAUGE GALVANIZED		
ITEM#	SIZE	PREP
G1608CH	3070	MB
G1611CH		BR
G1649CH	3670	C
G1650CH		MB
G1654CH	4070	C
G1655CH		MB
18 GAUGE GALVANIZED		
G1849CH	3670	C
G1850CH		MB
G1854CH	4070	C
G1855CH		MB

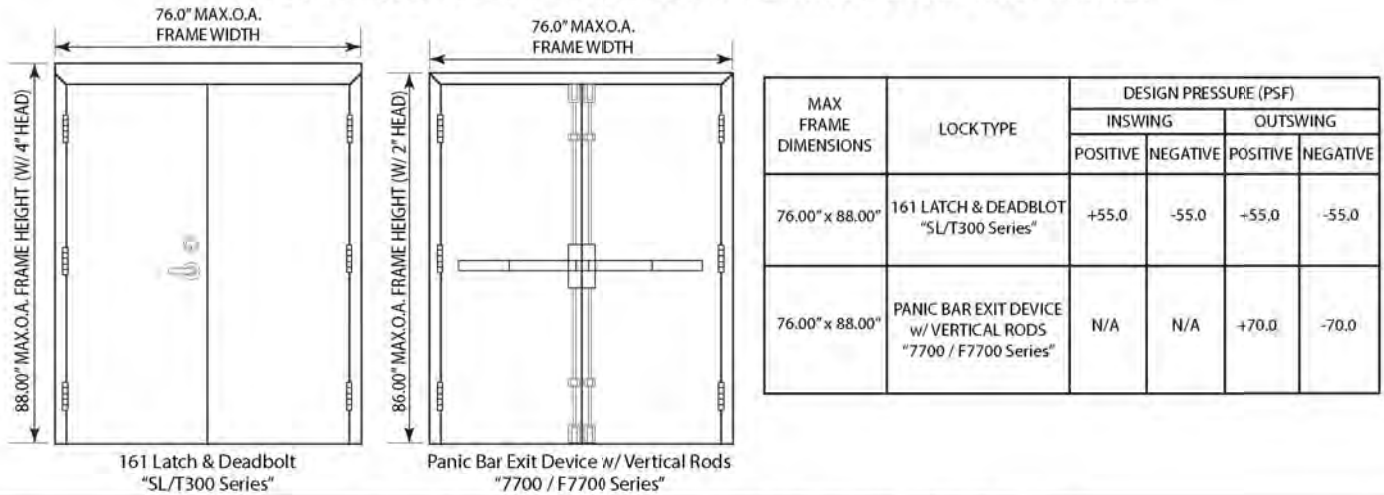


1800 Series Hurricane Tested Florida Approved FL-13624

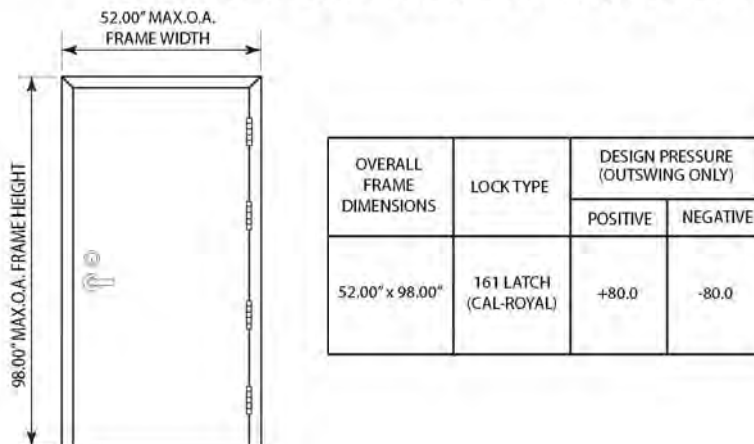
COMMERCIAL STEEL SINGLE DOOR INSWING / OUTSWING "IMPACT" (COMPONENT TESTED)



COMMERCIAL STEEL DOUBLE DOOR INSWING / OUTSWING "IMPACT"



COMMERCIAL STEEL DOOR OUTSWING "IMPACT"






1900 Series 2-Panel Doors

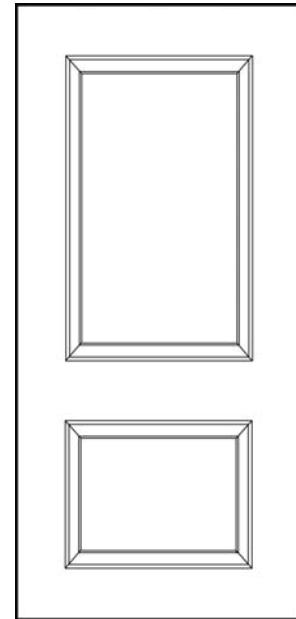
STOCK REVERSIBLE SEAMLESS POLYSTYRENE 2-PANEL DOORS

18 GAUGE

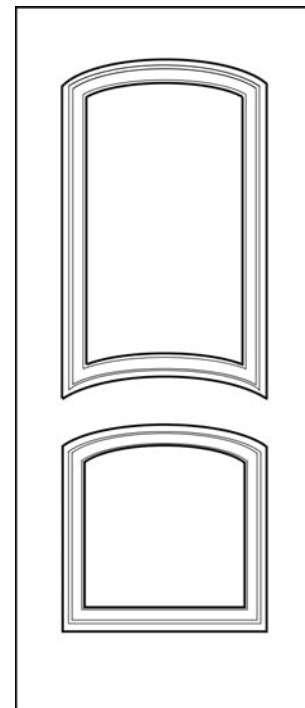
- Includes closer reinforcement, fire label WHI 3HR Positive Pressure,  Smoke label.
- 2 Panel ATC rating
18 Gauge STC 28
R value 5.24
U value 0.31

ITEM#	SIZE	TYPE/GAUGE	PREP
STOCK			
1900	3068	18	C
1901			MB
1903			C/DL 5 1/2" C.T.C
NON-STOCK			
1902	3068	18	BR
STOCK			
1905	3070	18	C
1906			MB
NON-STOCK			
1907	3070	18	BR
1908			C/DL 5 1/2" C.T.C
STOCK ONLY IN PA			
*G1905	3070	18	C

* GALVANIZED



NON-STOCK			
ITEM#	SIZE	TYPE/GAUGE	PREP
1910	3068	18	C
1911			MB
1912			BR
1913			C/DL 5 1/2" C.T.C
1914	3070	18	C
1915			MB
1916			BR
1917			C/DL 5 1/2" C.T.C

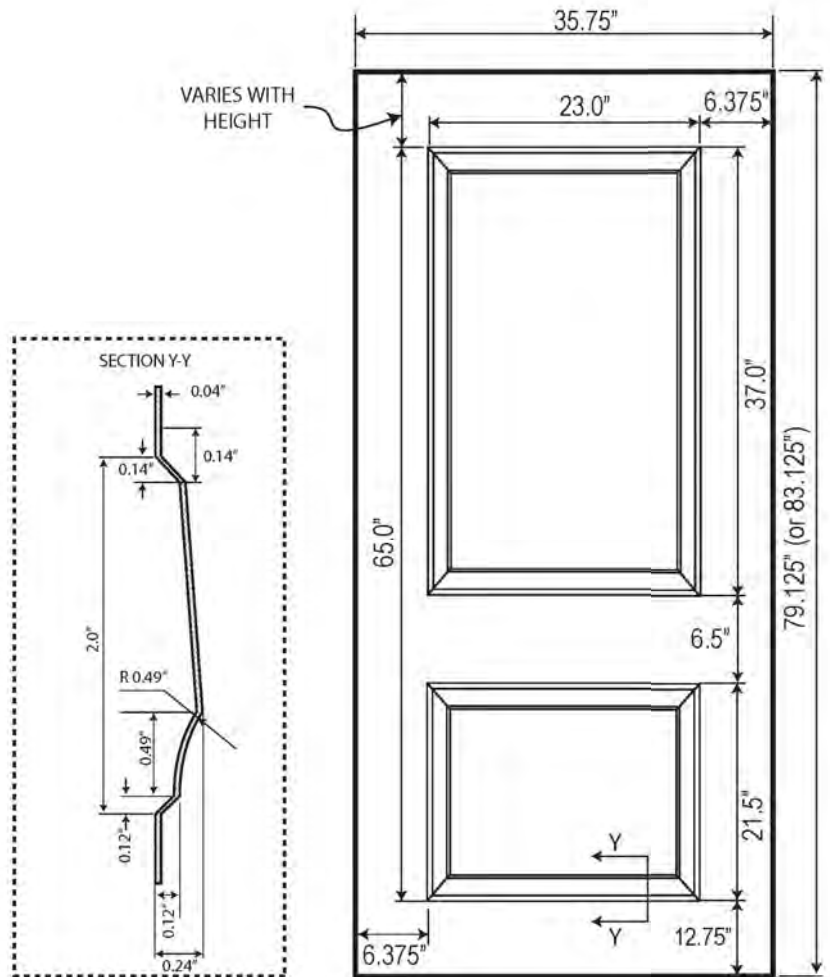




1900 Series 2-Panel Doors 8'0

STOCK REVERSIBLE SEAMLESS POLYSTYRENE DOORS 18 GAUGE

- Includes closer reinforcement, fire label WHI 3HR Positive Pressure **(S)** Smoke label.
- 2 Panel STC rating
18 Gauge STC 28
R value 5.24
U value 0.31
- Meets or Exceeds Standards for ANSI 250.4 and 250.8
- Full Body Polysterene Core
- Non-Handed Design



ITEM #	SIZE	TYPE/GAUGE	PREP
1966	3080	18	C
1967			MB
1968			BR
GALVANIZED			
*G1966	3080	18	C
*G1967			MB
*G1968			BR

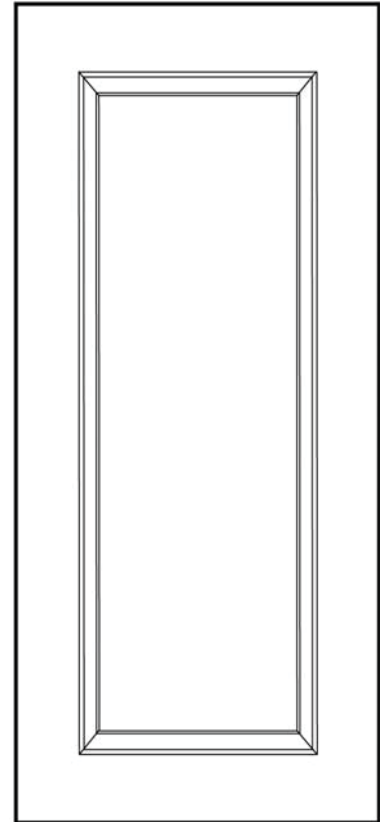
*FACTORY ORDER ONLY



SP1900 Series Single Panel Doors

STOCK REVERSIBLE SEAMLESS POLYSTYRENE SINGLE PANEL DOORS 18 GAUGE

- Includes closer reinforcement, fire label WHI 3HR Positive Pressure **(S)** Smoke label.
- Single Panel STC rating
18 Gauge STC 28
R value 5.24
U value 0.31
- Meets or Exceeds Standards for ANSI 250.4 and 250.8
- Full Body Polysterene Core
- Non-Handed Design




ITEM#	SIZE	TYPE/GAUGE	PREP	LIST PRICE
SP1900	3068	18	C	\$250
SP1905	3070			260
SP1926	2668			245
SP1928	2868			250

NOTES:



2000 Series Honeycomb Flush Doors

STOCK REVERSIBLE SEAMLESS HONEYCOMB FLUSH DOORS INCLUDING PAIRED OPENINGS 18 GAUGE

- Price includes closer reinforcement, fire label WHI 3HR Positive Pressure  Smoke label.
- Other locations and sizes are available. Consult factory.
- All inactive doors are prepared for, and price includes:
ASA Strike, Manual/Auto Flush Bolt Prep and Loose Flat Astragal

ACTIVE / SINGLE DOORS

ITEM#	SIZE	PREP
2013	3068	C
2018		MB
2024		BR
2035	2070	C
2091	2670	C
2040	3070	C
2044		MB
2047		BR
2048	3470	C
2014		MB
2049	3670	C
2050		MB
2052		BR
2051	3870	C
2063	3080	C
2062		MB
2064		BR
2054	4070	C
2055		MB
2059		BR
2065	4080	C
2066		MB
2068		BR

INACTIVE DOORS

HAND	ITEM#	SIZE	PREP
RH	2001 IA	2070	FB/ASA
LH			
RH	2002 IA	2068	FB/ASA
LH			
RH	2003 IA	2670	FB/ASA
LH			
RH	2006 IA	3068	FB/ASA
LH			
RH	2007 IA	3070	FB/ASA
LH			
RH	2012 IA	3470	FB/ASA
LH			
RH	2008 IA	3670	FB/ASA
LH			
RH	2009 IA	3080	FB/ASA
LH			
RH	2016 IA	3680	FB/ASA
LH			
RH	2010 IA	4070	FB/ASA
LH			
RH	2011 IA	4080	FB/ASA
LH			

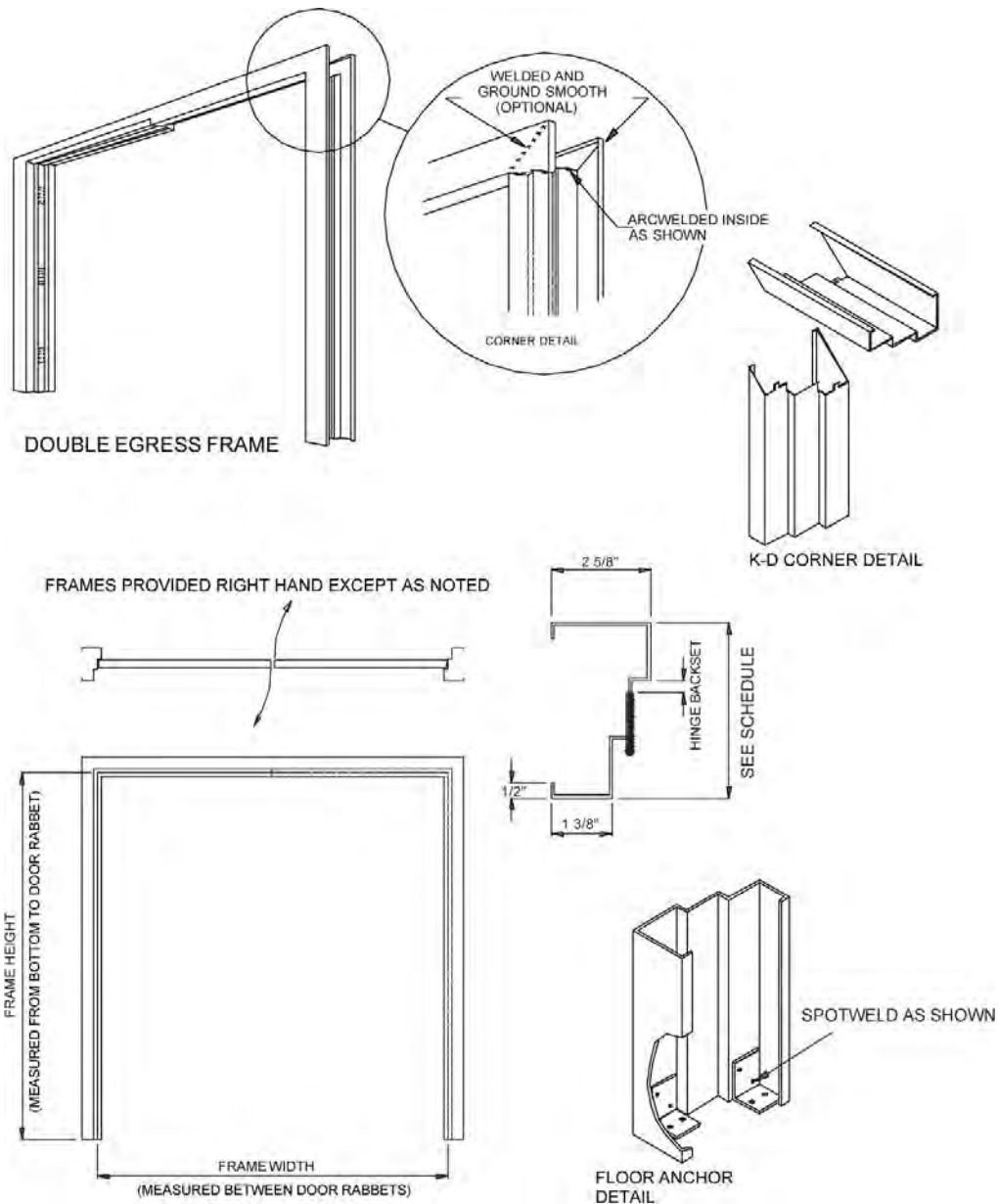


6000 Series Double Egress Doors

STOCK REVERSIBLE SEAMLESS HONEYCOMB DOUBLE EGRESS FLUSH DOORS 18 GAUGE

- Includes closer reinforcement, WHI 3HR listing, Blank surface V/R reinforcement
- Other locations and sizes are available. Consult factory.

ITEM#	SIZE	PREP
6013	3068	BR SVR
6040	3070	BR SVR
6060	3080	BR SVR





9000 Series Temperature Rise Doors

STOCK 250° TEMPERATURE RISE FLUSH DOORS 16 & 18 GAUGE

- Includes closer reinforcement, WHI 90 min. 250° temperature rise fire label
- Other locations and sizes are available. Consult factory
- MIN = Mineral Core

ITEM#	SIZE	GAUGE	CORE	PREP		
9000	3068	18	MIN	C		
9002				MB		
9003				BR		
9030	3070			C		
9033				BR		
9041	3080			C		
9043				BR		
9050	3068			*16	MIN	C
9055	3070					
9065	3080					

*16-gauge factory order only

NOTES:



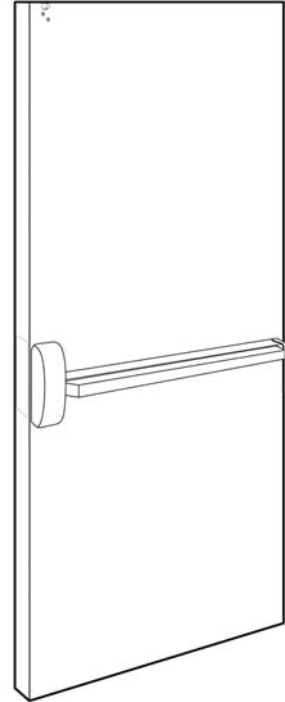
CVR Series Doors

CONCEALED VERTICAL ROD STOCK REVERSIBLE SEAMLESS DOORS

16 & 18 GAUGE GALVANIZED

- Includes closer reinforcement, WHI 3HR Positive Pressure **(S)** Smoke label
- Other locations and sizes are available. Consult factory

ITEM#	SIZE	GAUGE	PREP
CVR1611	3070	16	BR/CVR
CVR1620	3080		
CVR1652	3670		
CVR1659	4070		
CVR1847	3070	18	BR/CVR
CVR1852	3670		
CVR1859	4070		
CVR1864	3080		



NOTES:

Empty rectangular box for notes.

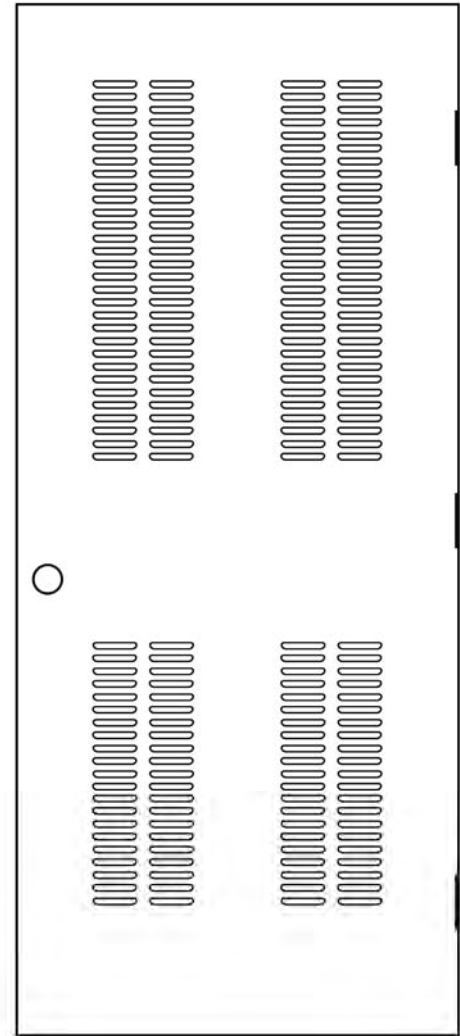


LV7000 Series Metal Louver Utility Doors

HONEYCOMB CORE, NON-HANDED DESIGN

22 GAUGE COLD ROLLED STEEL

- Matches Timely’s residential frame hinge and strike locations
- Reversible Residential Hinge 4” x 4”, gauge .097”
- Flush Top / Inverted Bottom
- 1³/₄” door thickness
- Lock location 60” for 8’0” doors; 44” for 6’8” doors x 2³/₈” backset with 1 x 1¹/₄” square corner face plate
- Lock preparation (161) Cylindrical or Blank Reinforced (BR)
- Wood reinforced hinge and lock locations
- Prime Paint Finish, Powder Coat

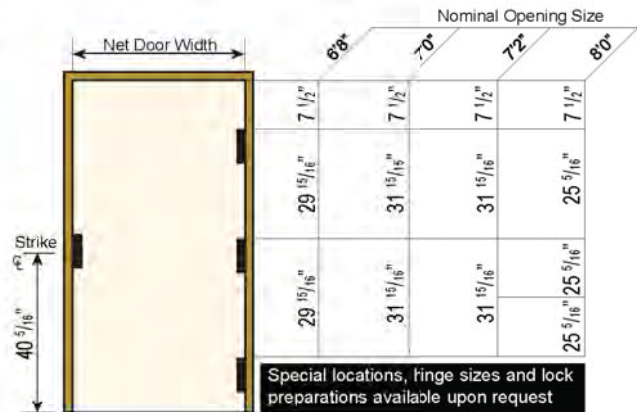
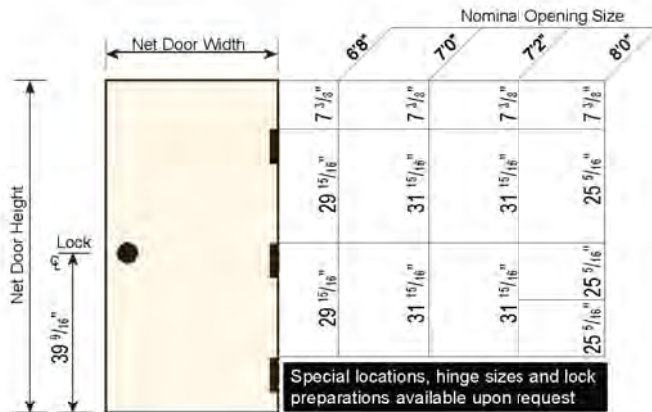


ITEM#	SIZE	PREP
LV7001	2068	C
LV7005	2068	BR
LV7010	2468	C
LV7007	2668	C
LV7009	2668	BR
LV7069	21068	C
LV7071	21068	BR
LV7013	3068	C
LV7024	3068	BR
LV7051	2080	C
LV7028	2680	C
LV7086	21080	C
LV7063	3080	C

NOTES:

DOOR AND FRAME LOCATIONS

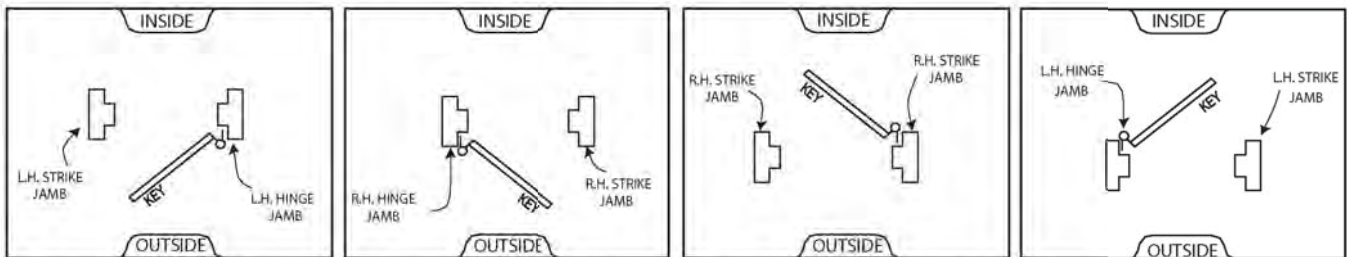
Standard Hardware Locations 4-1/2" Hinge



DOOR HANDING

SINGLE SWING DOORS

When door swings towards you and hinges are on the right side of the door - Door is R.H.R. / Frame is L.H.
 When door swings inside and hinges are on right side of the door - Door is R.H. / Frame is R.H.



Right Hand Reverse Door (Swing Out) Left Hand Frame

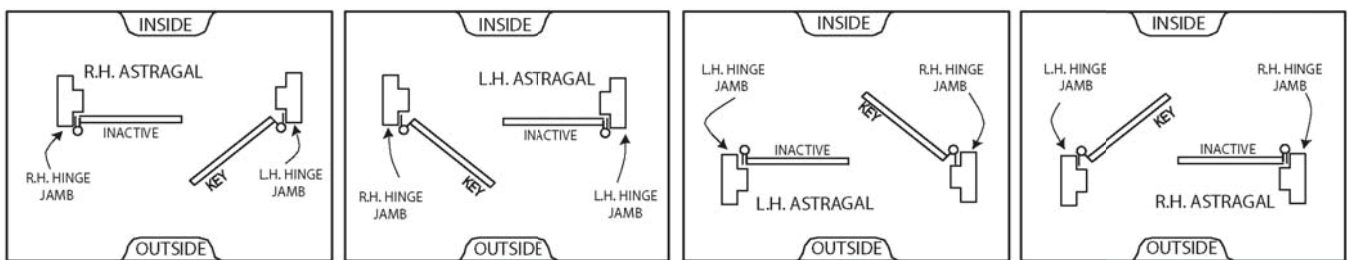
Left Hand Reverse Door (Swing Out) Right Hand Frame

Right Hand Door (Swing In) Right Hand Frame

Left Hand Door (Swing In) Left Hand Frame

DOUBLE DOORS

When door leaf swings towards you and hinges are on the right side of active leaf - Door is R.H.R. Active / Frame is L.H. Active
 When door leaf swings inside and hinges are on right side of active leaf - Door is R.H. Active / Frame is R.H. Active



OUTSIDE
 Pair of Doors - R.H.R Active (Swing Out)
 Double Door Frame L.H. Active

OUTSIDE
 Pair of Doors - L.H.R Active (Swing Out)
 Double Door Frame R.H. Active

OUTSIDE
 Pair of Doors - R.H. Active (Swing In)
 Double Door Frame R.H. Active

OUTSIDE
 Pair of Doors - L.H. Active (Swing In)
 Double Door Frame L.H. Active

THIS PAGE INTENTIONALLY LEFT BLANK



FRAMES

2018




TABLE OF CONTENTS	
ITEM / SERIES	PAGE NO.
3000 Series Double Egress Frames, 16 Gauge	F1
EXP 4000 Expandable Masonry Frames, 16 Gauge	F2
4000 Series Masonry Frames, 16 Gauge	F3-F6
4000 Series Masonry Frame Components	F7
4000 Series Masonry Frames, 16 Gauge, Unequal Rabbet For Curries, Dean Steel / Mesker and Pioneer Locations	F8
4100 Series Masonry Frames, 14 Gauge	F9
4500 Series Masonry Double Door Frames, 16 Gauge	F10
EXP 5000 Expandable Drywall Frames, 16 Gauge	F11
5000 Series Drywall Frames, 16 Gauge, Unequal Rabbet	F12
5000 Series Drywall Frames, 16 Gauge, Unequal Rabbet For Curries, Dean Steel / Mesker and Pioneer Locations	F13
5000 Series Drywall Frames, 16 Gauge, Unequal Rabbet For Ceco Locations	F14
7000 Series Stock Blank Masonry Stick Material, 16 & 14 Gauge	F15
8000 Series Stock Blank Drywall Stick Material , 16 Gauge	F16
7500-7800 Series Fabrication Components, 16 Gauge	F17
7500 Series Fab Stick and Mullion Profiles	F18



3000 Series Double Egress Frames

STOCK DOUBLE EGRESS FRAMES

16 GAUGE

- Jamb depths from 4.0" up to 9.75" available with lead time. Consult factory.
- WHI 3 HR listing,  smoke label
- Includes wood stud strap anchors welded in

HAND	ITEM #	SIZE	TYPE/GAUGE	DEPTH	LABEL
RH	3000	6068	16	5.75"	WHI-3
LH	3001				
RH	3004	6070			
LH	3005				
RH	3002	8068			
LH	3003				
RH	3008	8070			
LH	3009				
RH	3010	6080			
LH	3011				
RH	3012	8080			
LH	3013				
RH	3199	6068	16	7.125"	WHI-3
LH	3198				
RH	3200	6070			
LH	3201				
RH	3116	8070			
LH	3117				
RH	3202	6070	16	7.25"	WHI-3
LH	3203				

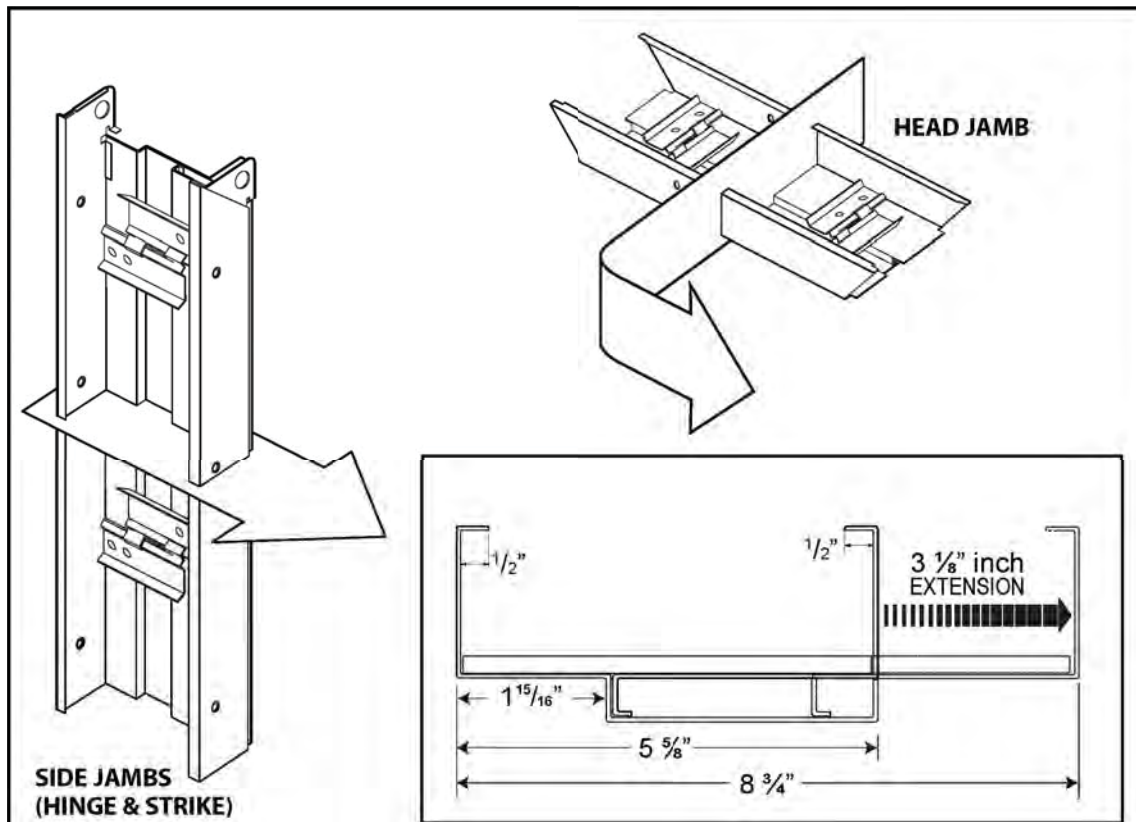
NOTES:



EXP 4000 Expandable Masonry Frames

5.625" to 8.75" EXPANDABLE MASONRY FRAME 16-GAUGE A-40 GALVANIZED STEEL

- 90 Minute WHI Mark as Standard
- 12-Gauge ASA Strike Reinforcement
- Four 7-Gauge 4.5" x 4.5" Hinge Reinforcements for 8' Doors
- Three 7-Gauge 4.5" x 4.5" Hinge Reinforcements for 6'8" and 7'0" Doors



COMPLETE FRAME SIZES		
	WIDTH	HEIGHT
S I N G L E	3'0"	6'8"
		7'0"
		8'0"
	3'6"	6'8"
		7'0"
		8'0"
4'0"	6'8"	
	7'0"	
	8'0"	
P A I R	6'0"	6'8"
		7'0"
		8'0"

FRAME COMPONENTS	
PART	LENGTH
HINGE JAMB	6'8"
	7'0"
	8'0"
STRIKE JAMB	6'8"
	7'0"
	8'0"
SINGLE HEAD	3'0"
	3'6"
	4'0"
PAIR HEAD	6'0"


HOW TO ORDER		
Example: 3070 Part # 5625 (5.625" to 8.75") Expandable Masonry Right Hand Frame		
TYPE	SIZE	PART
X	305625	H
X	705625	HJR
X	705625	SJR
TYPE	X (Expandable Masonry)	
SIZE	Width / Height	
PART	H (Head), HJ (Hinge Jamb Right or Left), SJ (Strike Jamb Right or Left), PR (Pair Head)	



4000 Series Masonry Frames

COMPLETE FRAMES

16 GAUGE MASONRY UNEQUAL RABBET

- Fire label WHI 3HR Positive Pressure,  Smoke label
- Masonry frames are prepared for ASA strike
- Includes anchors. Please specify type.
ANCHORS: WS = Wood Stud, SS = Steel Stud, MA = Masonry Wire
- Other Jamb depths are available with lead time. Consult factory.

	WIDTH	HEIGHT	DEPTH					
S I N G L E F R A M E S	2'0", 2'4"	6'8"	4.25-5.75	5.875-6.75	6.875-7.75	7.875-8.75	8.875-9.75	9.875-13.00
		7'0"						
	2'6", 2'8"	7'2"						
		8'0"						
	2'10", 3'0"	8'1" - 10'0"						
	3'4", 3'6"	6'8"						
		7'0"						
	3'8", 3'10"	7'2"						
		8'0"						
	4'0"	8'1" - 10'0"						
D O U B L E F R A M E S	4'0", 4'8"	6'8"	4.25-5.75	5.875-6.75	6.875-7.75	7.875-8.75	8.875-9.75	9.875-13.00
		7'0"						
	5'0", 5'4"	7'2"						
		8'0"						
	5'8", 6'0"	8'1" - 10'0"						
	6'8", 7'0"	6'8"						
		7'0"						
	7'4", 7'8"	7'2"						
		8'0"						
	8'0"	8'1" - 10'0"						

16 GAUGE COLD ROLLED FRAMES COMPONENTS

	SIZE	DEPTH					
HINGE JAMBS	6'8"	4.25-5.75	5.875-6.75	6.875-7.75	7.875-8.75	8.875-9.75	9.875-13.00
	7'0"						
	7'2"						
	8'0"						
	8'1" - 10'0"						
STRIKE JAMBS	6'8"	4.25-5.75	5.875-6.75	6.875-7.75	7.875-8.75	8.875-9.75	9.875-13.00
	7'0"						
	7'2"						
	8'0"						
	8'1" - 10'0"						
SINGLE HEAD	2'0" - 3'0"	4.25-5.75	5.875-6.75	6.875-7.75	7.875-8.75	8.875-9.75	9.875-13.00
	3'1" - 4'0"						
PAIR HEAD	4'0" - 6'0"	4.25-5.75	5.875-6.75	6.875-7.75	7.875-8.75	8.875-9.75	9.875-13.00
	6'1" - 8'0"						


In stock depths: 4.75", 5.75", 6.25", 6.75", 7.125", 7.25", 7.75", 8.25", 8.75", 9.0", 9.25", 9.75", 10.25" and 10.75"



4000 Series Masonry Frames

STOCK MASONRY FRAMES UNEQUAL RABBET

16 GAUGE

- Fire label WHI 3HR Positive Pressure,  Smoke label
- Masonry frames are prepared for ASA strike
- Includes anchors. Please specify type.
ANCHORS: WS = Wood Stud, SS = Steel Stud, MA = Masonry Wire
- Other Jamb depths are available with lead time. Consult factory.

HAND	ITEM #	SIZE
DEPTH: 4.75" ; TYPE / GAUGE: 16		
RH	4000	3068
LH	4001	
RH	4002	3070
LH	4003	
RH	4004	3080
LH	4005	
DEPTH: 5.75" ; TYPE / GAUGE: 16		
RH	4076	2068
LH	4077	
RH	4078	2070
LH	4079	
RH	4080	2080
LH	4081	
RH	4082	2668
LH	4083	
RH	4084	2670
LH	4085	
RH	4086	2868
LH	4087	
RH	4088	2870
LH	4089	
RH	4090	2880
LH	4091	
RH	4092	2680
LH	4093	
RH	4094	21068
LH	4095	
RH	4096	21070
LH	4097	
RH	4098	21080
LH	4099	
RH	4100	3068
LH	4101	
RH	4104	3070
LH	4105	
RH	4106	3080
LH	4107	

HAND	ITEM #	SIZE
DEPTH: 5.75" ; TYPE / GAUGE: 16		
RH	4136	3868
LH	4137	
RH	4138	3870
LH	4139	
RH	4140	3880
LH	4141	
RH	4126	4068
LH	4127	
RH	4128	4070
LH	4129	
RH	4130	4080
LH	4131	
DEPTH: 5.75" ; TYPE / GAUGE: 16 GALVANIZED		
RH	4108	3068
LH	4109	
RH	4124	3668
LH	4125	
RH	4112	3070
LH	4113	
RH	4122	3670
LH	4123	
RH	4116	3080
LH	4117	
RH	4120	3680
LH	4121	
RH	4118	4080
LH	4119	
RH	4132	3072
LH	4133	
RH	4134	4072
LH	4135	
DEPTH: 6.125" ; TYPE / GAUGE: 16		
RH	4150	3070
LH	4151	

HAND	ITEM #	SIZE
DEPTH: 6.25" ; TYPE / GAUGE: 16		
RH	4400	2068
LH	4401	
RH	4403	2070
LH	4404	
RH	4490	2080
LH	4491	
RH	4406	2468
LH	4407	
RH	4409	2470
LH	4410	
RH	4488	2480
LH	4489	
RH	4412	2668
LH	4413	
RH	4415	2670
LH	4416	
RH	4486	2680
LH	4487	
RH	4418	2868
LH	4419	
RH	4421	2870
LH	4422	
RH	4484	2880
LH	4485	
RH	4424	21068
LH	4425	
RH	4427	21070
LH	4428	
RH	4482	21080
LH	4483	
RH	4430	3068
LH	4431	
RH	4433	3070
LH	4434	
RH	4480	3080
LH	4481	
RH	4436	3668
LH	4437	



4000 Series Masonry Frames

HAND	ITEM #	SIZE
DEPTH: 6.25" ; TYPE / GAUGE: 16		
RH	4439	3670
LH	4440	
RH	4478	3680
LH	4479	
RH	4442	4068
LH	4443	
RH	4445	4070
LH	4446	
RH	4476	4080
LH	4477	
DEPTH: 6.375" ; TYPE / GAUGE: 16		
RH	4152	3070
LH	4153	
DEPTH: 6.75" ; TYPE / GAUGE: 16		
RH	4600	2068
LH	4601	
RH	4603	2070
LH	4604	
RH	4648	2080
LH	4647	
RH	4606	2468
LH	4607	
RH	4609	2470
LH	4610	
RH	4650	2480
LH	4649	
RH	4612	2668
LH	4613	
RH	4615	2670
LH	4616	
RH	4652	2680
LH	4651	
RH	4618	2868
LH	4619	
RH	4621	2870
LH	4622	
RH	4654	2880
LH	4653	
RH	4624	21068
LH	4625	
RH	4627	21070
LH	4628	
RH	4656	21080
LH	4655	
RH	4630	3068
LH	4631	

HAND	ITEM #	SIZE
DEPTH: 6.75" ; TYPE / GAUGE: 16		
RH	4633	3070
LH	4634	
RH	4658	3080
LH	4657	
RH	4636	3668
LH	4637	
RH	4639	3670
LH	4640	
RH	4660	3680
LH	4659	
RH	4642	4068
LH	4643	
RH	4645	4070
LH	4646	
RH	4662	4080
LH	4661	
DEPTH: 7.125" ; TYPE / GAUGE: 16		
RH	4700	2068
LH	4701	
RH	4703	2070
LH	4704	
RH	4748	2080
LH	4747	
RH	4706	2468
LH	4707	
RH	4709	2470
LH	4710	
RH	4750	2480
LH	4749	
RH	4712	2668
LH	4713	
RH	4715	2670
LH	4716	
RH	4752	2680
LH	4251	
RH	4718	2868
LH	4719	
RH	4721	2870
LH	4722	
RH	4754	2880
LH	4753	
RH	4724	21068
LH	4725	
RH	4727	21070
LH	4728	

HAND	ITEM #	SIZE
DEPTH: 7.125" ; TYPE / GAUGE: 16		
RH	4756	21080
LH	4755	
RH	4730	3068
LH	4731	
RH	4733	3070
LH	4734	
RH	4758	3080
LH	4757	
RH	4736	3668
LH	4737	
RH	4739	3670
LH	4740	
RH	4760	3680
LH	4759	
RH	4742	4068
LH	4743	
RH	4745	4070
LH	4746	
RH	4762	4080
LH	4761	
DEPTH: 7.25" ; TYPE / GAUGE: 16		
RH	4201	3068
LH	4202	
RH	4203	3070
LH	4204	
RH	4205	3080
LH	4206	
RH	4207	4068
LH	4208	
RH	4209	4070
LH	4210	
RH	4211	4080
LH	4212	



4000 Series Masonry Frames

HAND	ITEM #	SIZE
** DEPTH: 7.75" ; TYPE / GAUGE: 16 GALVANIZED		
RH	4220	3068
LH	4221	
RH	4232	3668
LH	4233	
RH	4224	3070
LH	4225	
RH	4234	3670
LH	4235	
RH	4228	3080
LH	4229	
RH	4236	3680
LH	4237	
RH	4230	4080
LH	4231	
** DEPTH: 8.25" ; TYPE / GAUGE: 16 GALVANIZED		
RH	4340	3068
LH	4341	
RH	4352	3668
LH	4353	
RH	4344	3070
LH	4345	
RH	4354	3670
LH	4355	
RH	4348	3080
LH	4349	
RH	4356	3680
LH	4357	
RH	4350	4080
LH	4351	
DEPTH: 8.50" ; TYPE / GAUGE: 16		
RH	4154	3070
LH	4155	
DEPTH: 8.75" ; TYPE / GAUGE: 16		
RH	4800	3068
LH	4801	
RH	4803	3070
LH	4804	
RH	4806	4068
LH	4807	
RH	4809	4070
LH	4810	

HAND	ITEM #	SIZE
DEPTH: 9.0" ; TYPE / GAUGE: 16		
RH	4156	3070
LH	4157	
DEPTH: 9.25" ; TYPE / GAUGE: 16		
RH	4816	3068
LH	4817	
RH	4818	3070
LH	4819	
RH	4820	3080
LH	4821	
RH	4822	4068
LH	4823	
RH	4824	4070
LH	4825	
RH	4826	4080
LH	4827	
DEPTH: 9.50" ; TYPE / GAUGE: 16		
RH	4162	3068
LH	4163	
RH	4158	3070
LH	4159	

HAND	ITEM #	SIZE
DEPTH: 9.75" ; TYPE / GAUGE: 16		
RH	4880	3068
LH	4881	
RH	4882	3070
LH	4883	
RH	4884	3080
LH	4885	
RH	4886	4068
LH	4887	
RH	4888	4070
LH	4889	
RH	4890	4080
LH	4891	
DEPTH: 10.25" ; TYPE / GAUGE: 16 GALVANIZED		
RH	4892	3070
LH	4893	
DEPTH: 10.75" ; TYPE / GAUGE: 16 GALVANIZED		
RH	4894	3070
LH	4895	
DEPTH: 13.0" ; TYPE / GAUGE: 16		
RH	4160	3070
LH	4161	

COMPONENT HEADS

ITEM #	DESCRIPTION	DEPTH	LENGTH
57530H4	4" Face head	5.75"	36"
*G57530H4	4" Face head *Galvanized	5.75"	36"
57540H4	4" Face head	5.75"	48"
*G57540H4	4" Face head *Galvanized	5.75"	48"
57560H4	4" Face head	5.75"	72"
*G57560H4	4" Face head *Galvanized	5.75"	72"

- ◆ Other jamb depths available. Consult Factory. Fire label WHI 3HR listed. **S** Smoke label.
- ◆ Masonry frames are prepared for ASA strike.
- ◆ Includes anchors. Specify type.
ANCHORS: WS - Wood Stud
SS - Steel Stud
MA - Masonry Wire Anchor


**Also available as Non-Galvanized, 3% reduction from list. Suffix "N" example: 4220N



4000 Series Masonry Frames

STOCK MASONRY FRAMES UNEQUAL RABBET
16 GAUGE

FOR CURRIES, DEAN STEEL / MESKER & PIONEER LOCATIONS

- Fire label WHI 90-Minute Positive Pressure,  Smoke label
- Masonry frames are prepared for ASA strike
- Other jamb depths available. Consult factory.

HAND	ITEM #	SIZE	DEPTH	TYPE/GA.
CURRIES				
RH	CU4100	3068	5.75"	16
LH	CU4101			
RH	CU4104	3070		
LH	CU4105			
DEAN STEEL / MESKER				
RH	DE/ME4100	3068	5.75"	16
LH	DE/ME4101			
RH	DE/ME4104	3070		
LH	DE/ME4105			
PIONEER				
RH	PI4100	3068	5.75"	16
LH	PI4101			
RH	PI4104	3070		
LH	PI4105			



4100 Series Masonry Frames

GALVANIZED MASONRY UNEQUAL RABBET COMPLETE FRAMES, 14 GAUGE

- Fire label WHI 3HR Positive Pressure, **S** Smoke label
- Masonry frames are prepared for ASA strike. Other Jamb depths are available with lead time. Consult factory.
- Includes anchors. Please specify type. ANCHORS: WS = Wood Stud, SS = Steel Stud, MA = Masonry Wire

	WIDTH	HEIGHT	DEPTH					
SINGLE	2'0", 2'4"	6'8"	4.25-5.75	5.875-6.75	6.875-7.75	7.875-8.75	8.875-9.75	9.875-13.00
		7'0"						
	2'6", 2'8"	7'2"						
		8'0"						
2'10", 3'0"	8'1" - 10'0"							
FRAMES	3'1", 3'6"	6'8"						
		7'0"						
	3'8", 3'10"	7'2"						
		8'0"						
	4'0"	8'1" - 10'0"						
DOUBLE	4'0", 4'8"	6'8"						
		7'0"						
	5'0", 5'4"	7'2"						
		8'0"						
5'8", 6'0"	8'1" - 10'0"							
FRAMES	6'1", 7'0"	6'8"						
		7'0"						
	7'4", 7'8"	7'2"						
		8'0"						
	8'0"	8'1" - 10'0"						

14 GAUGE GALVANIZED FRAMES COMPONENTS								
	SIZE	DEPTH						
HINGE JAMBS	6'8"	4.25-5.75	5.875-6.75	6.875-7.75	7.875-8.75	8.875-9.75	9.875-13.00	
	7'0"							
	7'2"							
	8'0"							
	8'1" - 10'0"							
STRIKE JAMBS	6'8"							
	7'0"							
	7'2"							
	8'0"							
	8'1" - 10'0"							
SINGLE HEAD	2'0" - 3'0"							
	3'1" - 4'0"							
PAIR HEAD	4'0" - 6'0"							
	6'1" - 8'0"							


In stock depths: 5.75" and 7.75"



4500 Series Masonry Double Door Frames

STOCK MASONRY FRAMES FOR PAIR OPENINGS, UNEQUAL RABBET

16 GAUGE

- Fire label WHI 3HR Positive Pressure,  Smoke label
- Includes anchors. Please specify type.
ANCHORS: WS = Wood Stud, SS = Steel Stud, MA = Masonry Wire

TYPE	ITEM #	SIZE	DEPTH	TYPE/GAUGE
Pair	4501	4068	5.75"	16G Galvanized
	4505	6068		
	4511	6070		
	4549	6072		
	4521	7070		
	4525	8070		
	4527	8080		
Pair	4502	5068	6.25"	16
	4503	5070		
	4504	5080		
	4506	6068		
	4507	6070		
	4508	6080		
	4509	8068		
	4510	8070		
	4512	8080		
Pair	4513	5068	6.75"	16
	4514	5070		
	4515	5080		
	4516	6068		
	4517	6070		
	4518	6080		
	4519	8068		
	4520	8070		
	4522	8080		
Pair	4523	5068	7.125"	16
	4524	5070		
	4526	5080		
	4528	6068		
	4529	6070		
	4531	6080		
	4532	8068		
	4533	8070		
	4535	8080		

TYPE	ITEM #	SIZE	DEPTH	TYPE/GAUGE
Pair	4583	6068	7.25"	16
	4584	6070		
	4585	6080		
	4586	8068		
	4577	8070		
	4578	8080		
	Pair	4530		
4534		6068		
4542		6070		
4553		7070		
4556		8070		
4560		8080		
Pair	4563	4068	8.25"	16G Galvanized
	4569	6068		
	4570	6070		
	4573	7070		
	4580	8070		
	4582	8080		
Pair	4536	5068	8.75"	16
	4537	5070		
	4538	5080		
	4539	6068		
	4540	6070		
	4541	6080		
	4543	8068		
	4544	8070		
	4545	8080		
	Pair	4587		
4588		6070		
4589		6080		
4590		8068		
4591		8070		
4592		8080		
Pair		4596	6068	9.75"
	4597	6070		
	4598	6080		
	4593	8068		
	4594	8070		
	4595	8080		

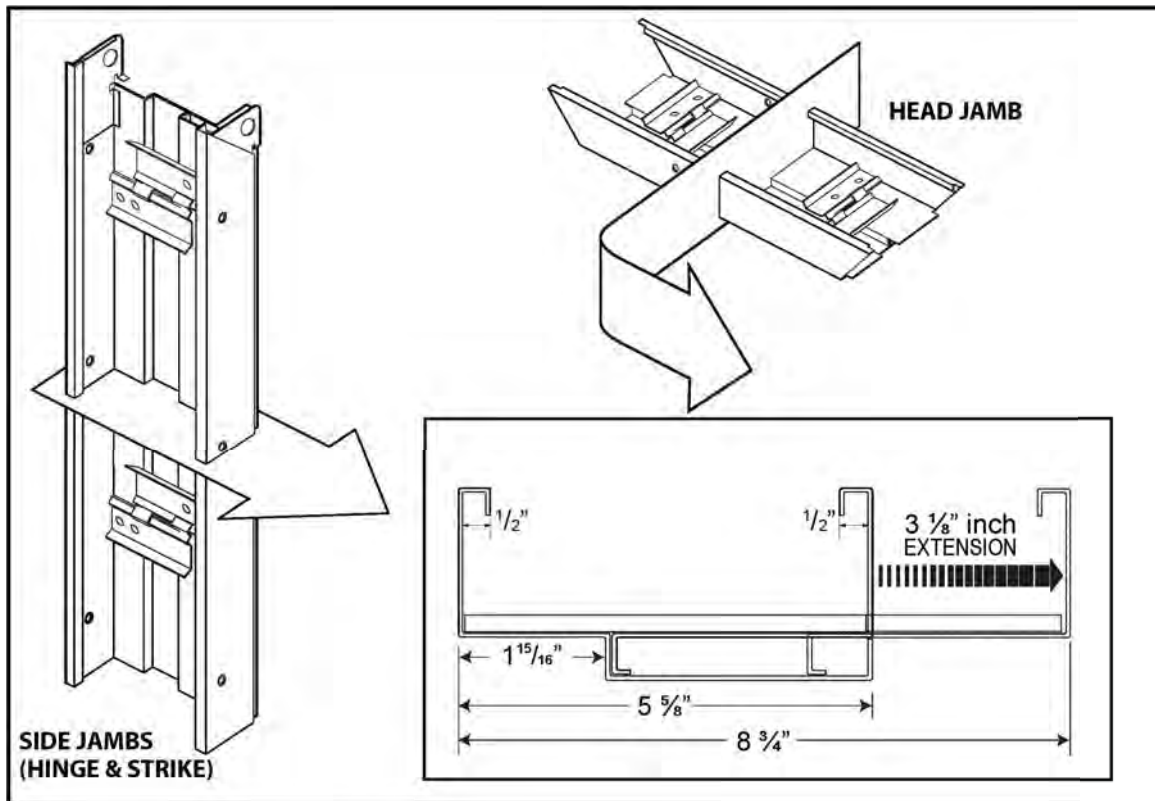


EXP 5000 Expandable Drywall Frames

5.625" to 8.75" EXPANDABLE DRYWALL FRAME

16-GAUGE GALVANIZED

- 90 Minute WHI Mark as Standard
- 12-Gauge ASA Strike Reinforcement
- Four 7-Gauge 4.5" x 4.5" Hinge Reinforcements for 8' Doors
- Three 7-Gauge 4.5" x 4.5" Hinge Reinforcements for 6'8" and 7'0" Doors



COMPLETE FRAME SIZES		
	WIDTH	HEIGHT
S I N G L E	3'0"	6'8"
		7'0"
		8'0"
	3'6"	6'8"
		7'0"
		8'0"
	4'0"	6'8"
		7'0"
		8'0"
P A I R	6'0"	6'8"
		7'0"
		8'0"

FRAME COMPONENTS	
PART	LENGTH
HINGE JAMB	6'8"
	7'0"
	8'0"
STRIKE JAMB	6'8"
	7'0"
	8'0"
SINGLE HEAD	3'0"
	3'6"
	4'0"
PAIR HEAD	6'0"

HOW TO ORDER		
Example: 3070 Part # 5625 (5.625" to 8.75") Expandable Drywall Right Hand Frame		
TYPE	SIZE	PART
XDW	305625	H
XDW	705625	HJR
XDW	705625	SJR
TYPE	XDW (Expandable Dry Wall)	
SIZE	Width / Height	
PART	H (Head), HJ (Hinge Jamb Right or Left), SJ (Strike Jamb Right or Left), PR (Pair Head)	



5000 Series Drywall Frames

STOCK DRYWALL FRAMES UNEQUAL RABBET 16 GAUGE

- Fire label WHI 90-Minute Positive Pressure, **(S)** Smoke label

Complete Frames						
SINGLE	Width	Height	Depth			
	2'0" , 2'4"	6'8"	5.625 / 5.875 / 6.25	6.75 / 7.25 / 7.75	8.25	8.75
2'6" , 2'8"	7'0"					
2'10" , 3'0"	8'0"					
3'6" , 4'0"	6'8"					
	7'0"					
	8'0"					
PAIR	4'0" , 6'0"	6'8"				
		7'0"				
		8'0"				
	8'0"	6'8"				
		7'0"				
		8'0"				

Frame Components				
Hinge Jamb	Depth			
6'8"	5.625 / 5.875 / 6.25	6.75 / 7.25 / 7.75	8.25	8.75
7'0"				
8'0"				
Strike Jamb				
6'8"				
7'0"				
8'0"				
Single Head				
2'0" – 3'0"				
3'6" – 4'0"				
Pair Head				
4'0" – 6'0"				
8'0"				

TO ORDER COMPONENTS		
Example 5 7/8" 3070 drywall right hand frame		
STYLE	SIZE	PART
DW	305875	H
DW	705875	HJR
DW	705875	SJR
STYLE = Drywall		
SIZE = Width or Height / Jamb Depth		
PART:		
H (Head)		
HJ (Hinge Jamb Right)		
SJ (Strike Jamb Right or Left)		


Stock Widths	
5.625	3'0", 4'0", 6'0", 8'0"
5.875	2'0", 2'4", 2'6", 2'8", 2'10", 3'0", 3'6", 4'0", 6'0"
6.25	3'0", 4'0", 6'0", 8'0"
6.75	
7.25	
7.75	
8.25	



5000 Series Drywall Frames

STOCK DRYWALL FRAMES UNEQUAL RABBET
16 GAUGE

FOR CURRIES, DEAN TEEL / MESKER & PIONEER LOCATIONS

- Fire label WHI 90-Minute Positive Pressure,  Smoke label
- Drywall frames are prepared for ASA strike
- Other jamb depths available. Consult factory.

HAND	ITEM #	SIZE	DEPTH	TYPE/GA.
CURRIES				
RH	CU5100	3068	5.625"	16
LH	CU5101			
RH	CU5430	3068	5.875"	
LH	CU5431			
RH	CU5433	3070	5.875"	
LH	CU5434			
DEAN STEEL / MESKER				
RH	DE/ME5100	3068	5.625"	16
LH	DE/ME5101			
RH	DE/ME5430	3068	5.875"	
LH	DE/ME5431			
RH	DE/ME5433	3070	5.875"	
LH	DE/ME5434			
PIONEER				
RH	PI5100	3068	5.625"	16
LH	PI5101			
RH	PI5430	3068	5.875"	
LH	PI5431			
RH	PI5433	3070	5.875"	
LH	PI5434			



7000 Series Sticks

STOCK BLANK MASONRY STICK MATERIAL

16 and 14 GAUGE

- Other depths available with lead time. Consult factory.

ITEM #	DEPTH	SIZE	TYPE/GA.
7050	4.750"	10'	16 Gauge Galvanized
7000	5.750"		
7000-4 (4" Face)			
CO7000 (Cased Open)			
7125	6.125"		
7100	6.250"		
7137	6.375"		
7200	6.750"		
7200-4 (4" Face)			
7400	7.125"		
7400-4 (4" Face)			
7700	7.250"		
7300	7.750"		
CO7300 (Cased Open)			
7300-4 (4" Face)			
7500	8.250"		
CO7500 (Cased Open)			
7525	8.50"		
7600	8.750"		
7600-4 (4" Face)			
CO7600 (Cased Open)			
7820	9.00"		
7800	9.250"		
7850	9.50"		
7900	9.750"		
7910	10.250"		
7912	10.750"		
7980	13.00"		
14G7000	5.750"	10'	14 Gauge Galvanized
14G7300	7.750"		

BLANK STRIKE JAMBS

ITEM #	DEPTH	SIZE	GAUGE
68575SJR Blank	5.75"	6'8"	16
68575S JL Blank			
70575SJR Blank	5.75"	7'0"	
70575S JL Blank			
LP68575S JL	5.75"	6'8"	
LP68575S JR			
LP70575S JL	5.75"	7'0"	
LP70575S JR			

LP- Deadbolt Strike



8000 Series Sticks

STOCK BLANK DRYWALL STICK MATERIAL

16 GAUGE

- Other depths available with lead time. Consult factory.

ITEM #	DEPTH	SIZE	TYPE/GA.
8100	5.625"	10'	16 Gauge Cold Rolled
8000	5.875"		
8050	6.25"		
8200	6.75"		
8700	7.25"		
8300	7.75"		
8500	8.25"		
8600	8.75"		
8800	9.25"		
8900	9.75"		

NOTES:



7500-7800 Series Fabrication Components

UNEQUAL RABBET

16 GAUGE

TYPE	DEPTH			
Hinge Jamb 10'0", 6'8" & 7'0" location	4.75-5.75	6.25-6.75	7.25-7.75	8.25-8.75
Strike Jamb 10'0"				
Hinge Mullion 10'0", 6'8" & 7'0" locations				
Strike Mullion 10'0"				
Blank Mullion 10'0"				

In stock depths: 5.625" (PA Warehouse only), 5.75", 6.75", 7.75", 8.25" and 8.75"
Contact DKS for lead time on non-stock items.

GS-22 Glass Stop 10'0", 5/8" x 5/8" w/ tek screws

DC-10 Door / Framing channel 10'0" length

How to order: (Example)

► Stick material

Stick Series	Cutout Location	Depth 5 3/4"	Hinge Jamb Right	or	Strike Jamb Left
75	68	575	HJR		SJL

► Mullion

Mullion Series	Cutout Location	Depth 8 3/4"	Mullion Hinge Left	or	Mullion Strike Left
75	68	875	HJR		SJL

► Blank Mullion

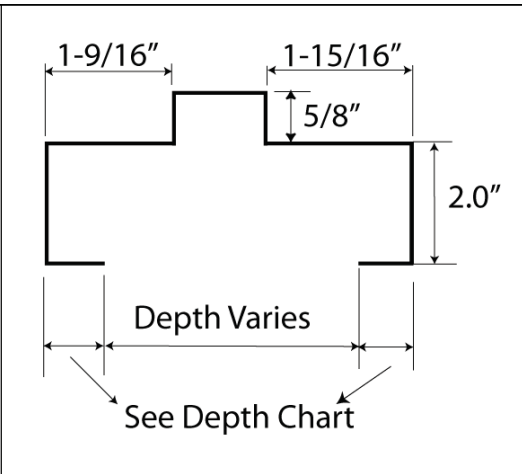
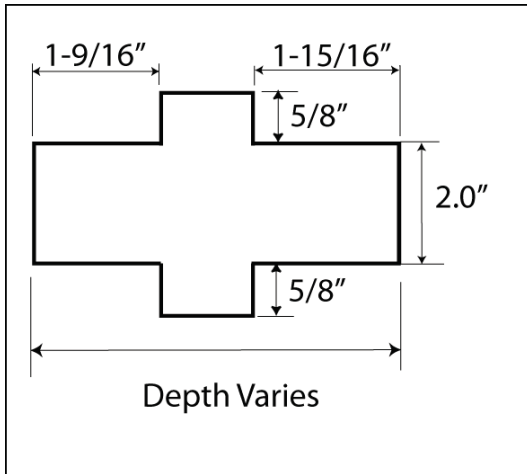
Blank Mullion Series	Depth 7 3/4"	Blank Mullion
75	775	BM



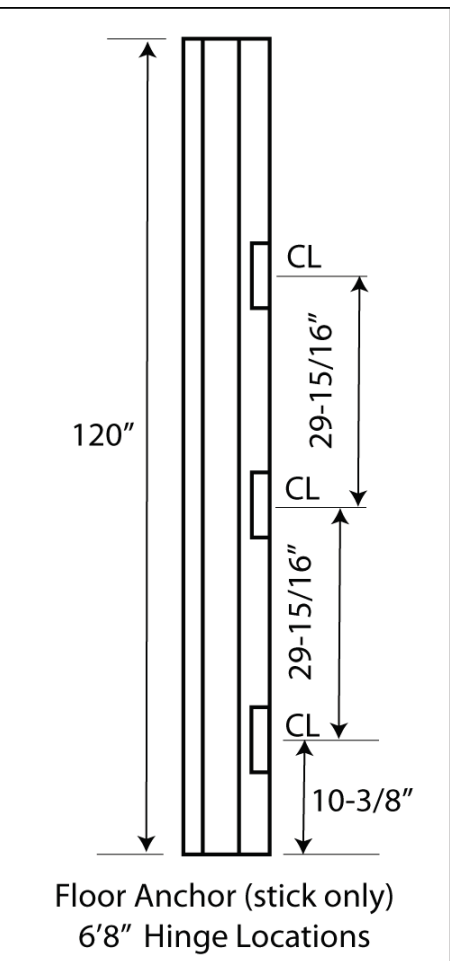
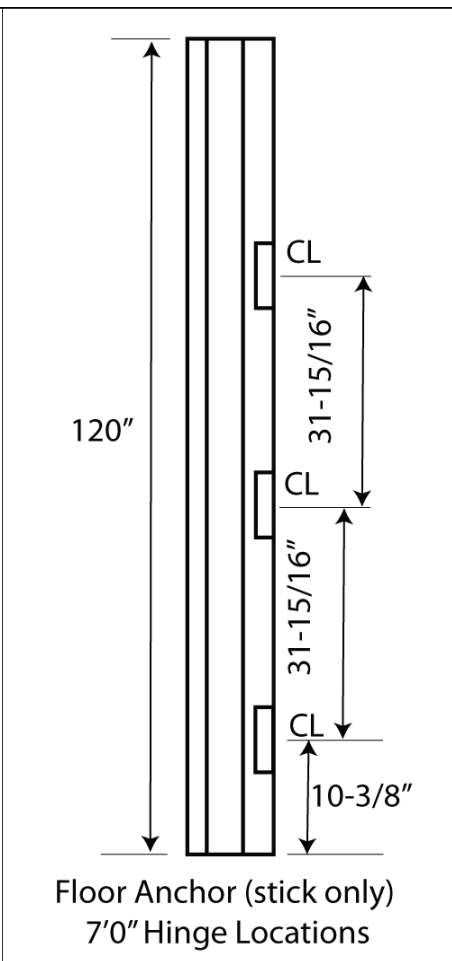
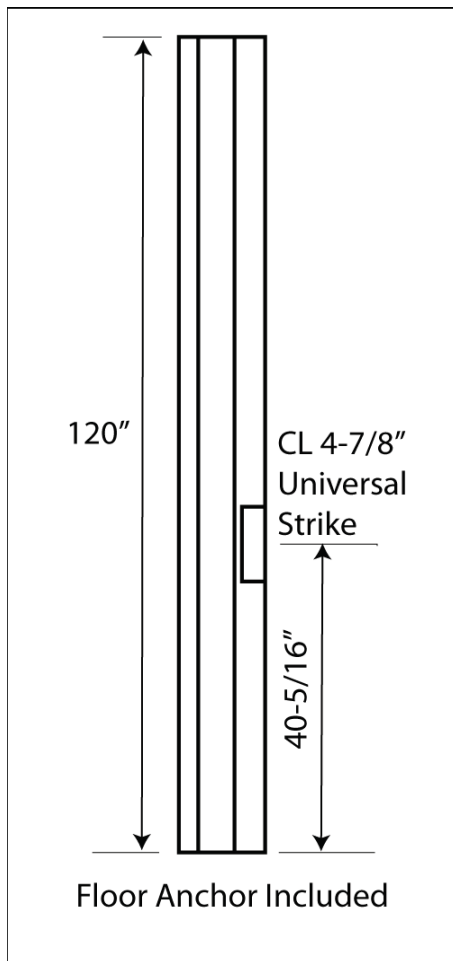
7500 Series Fab Stick and Mullion Profiles

Mullion

Fab Stick



DEPTHS
5.75 - 7/16" returns
6.75 - 1/2" returns
7.75 - 1/2" returns
8.25 - 1/2" returns
8.75 - 1/2" returns





LITES & LOUVERS

2018

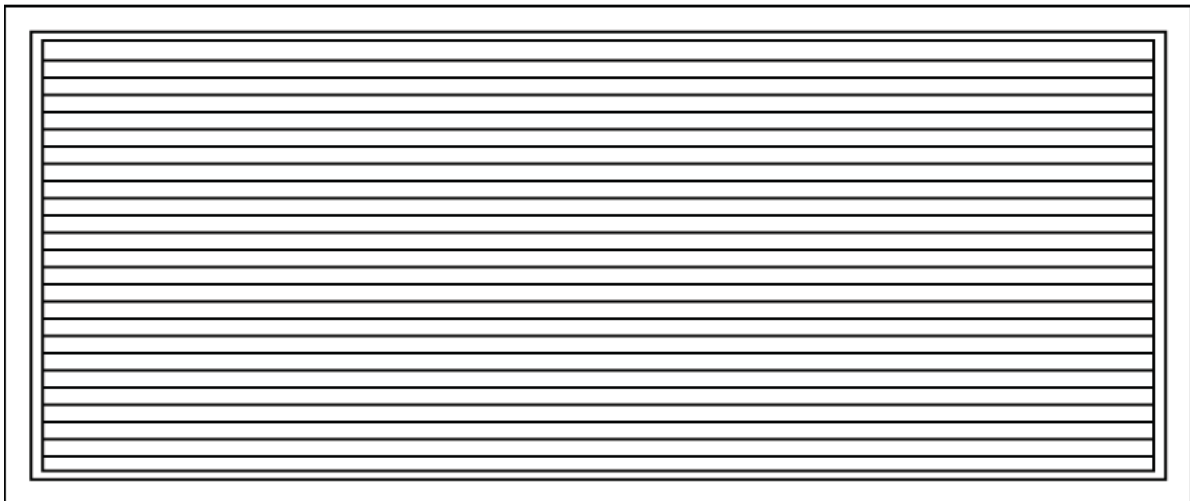


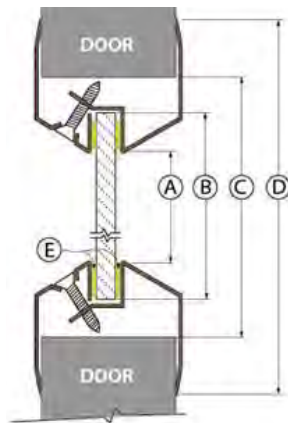
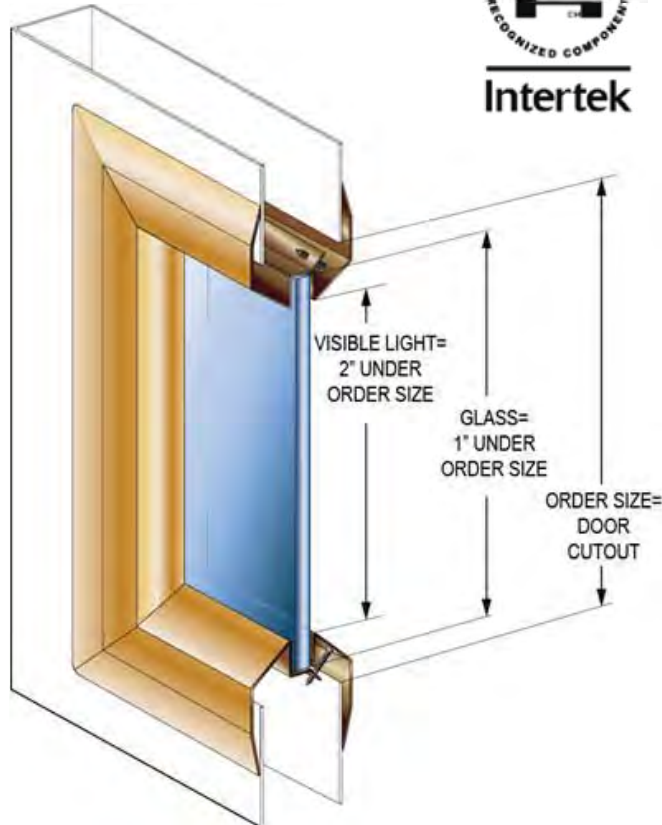


TABLE OF CONTENTS	
ITEM / DESCRIPTION	PAGE NO
Lites : SVL Series, Vision Lite Low Profile for 3/16" to 1/4" Glass	LL1
Lites : VL Series, Vision Lite Standard Profile for 3/16" to 1/4" Glass	LL2
Lites : 10VL Seires, Vision Lite Standard Profile for 1" Glass	LL3
Standard and Custom Sizes Lites, SVL and VL Series	LL4
Lite Kits : Frame (SVL or VL) + Glass + Glazing Tape	LL5
Glass : Replacements / Accessories For Vision Lite Narrow and Standard Profile, 1/4" and 3/16" Glass	LL6
Louvers : YLV Series, Divided Reverse "Y" Blade Louvers, and VLV Series, Inverted Y-Blade Louvers	LL7
Louvers : FLLV Series, Adjustable Fusible Link Louvers	LL8



LITES List Prices ...

SVL SERIES, VISION LITE LOW PROFILE



- (A) VISIBLE LIGHT = 2" UNDER ORDER SIZE
- (B) GLASS = 1" UNDER ORDER SIZE
- (C) ORDER SIZE = DOOR CUTOUT
- (D) 1-3/8" OVER ORDER SIZE
- (E) GLAZING TAPE

- ▶ 45-180 Minute Fire Rated Steel Vision Lites for 3/16" to 1/4" Glass
- ▶ Low Profile Beveled Vision Lite for Fire Rated Doors
- ▶ Frame has Single-side Fasteners
- ▶ 20 Gauge Cold Rolled Steel
- ▶ Designed for use with 1-3/4" doors only
- ▶ Baked on powder coat finish
- ▶ Color: Standard Bronze
- ▶ Fasteners: #8 x 7/8" Flathead phillips head SMS

ITEM #	SIZE (DOOR CUTOUT) Width x Height	PCS/CTN
SVL520	5" x 20"	6
SVL535	5" x 35"	6
SVL614	6" x 14"	6
SVL624	6" x 24"	6
SVL626	6" x 26"	6
SVL627	6" x 27"	6
SVL630	6" x 30"	6
SVL636	6" x 36"	6
SVL722	7" x 22"	6
SVL818	8" x 18"	6
SVL830	8" x 30"	6
SVL832	8" x 32"	6
SVL836	8" x 36"	6
SVL838	8" x 38"	6
SVL1212	12" x 12"	10
SVL1818	18" x 18"	2
SVL1830	18" x 30"	2
SVL1832	18" x 32"	2
SVL2236	22" x 36"	2
SVL2424	24" x 24"	4
SVL2430	24" x 30"	4
SVL2432	24" x 32"	4
SVL2434	24" x 34"	2
SVL2436	24" x 36"	2
SVL2454	24" x 54"	2
SVL2456	24" x 56"	2
SVL2460	24" x 60"	2
SVL2464 *	24" x 64"	2
SVL3036	30" x 36"	2

PRICES DO NOT INCLUDE GLASS

*Shaded Items are Non-Fire Rated.
See Lites & Louvers Intertek Certification for detailed information on Fire Ratings.

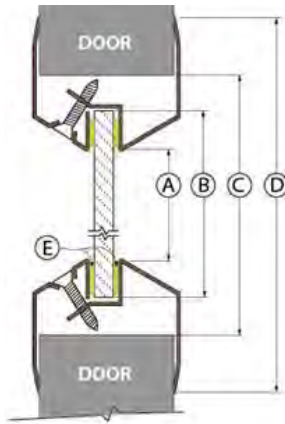
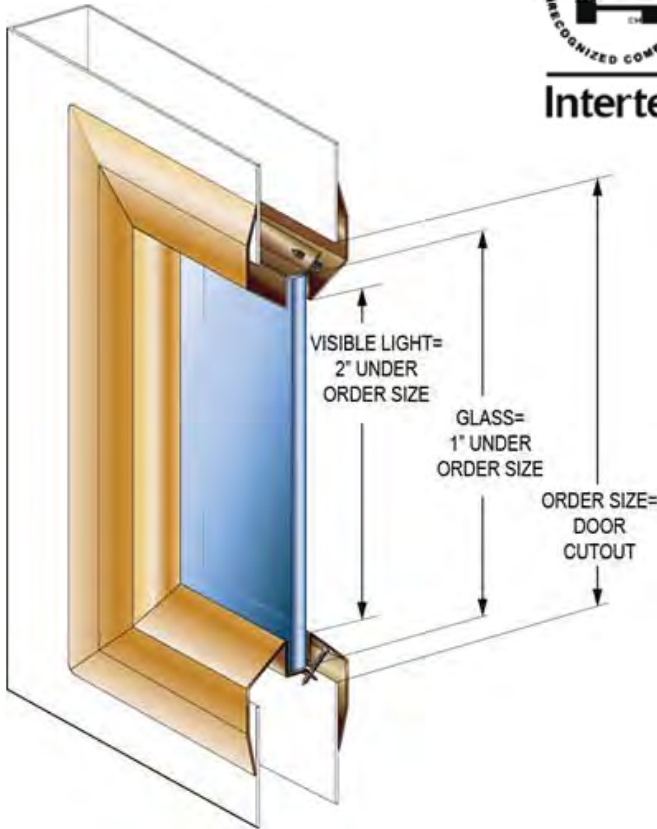


LITES List Prices ...

VL SERIES, VISION LITE STANDARD PROFILE



- ▶ 45-180 Minute Fire Rated Steel Vision Lites for 3/16" to 1/4" Glass
- ▶ Standard Profile Vision Lite for Fire Rated Doors
- ▶ Frame has Single-side Fasteners
- ▶ 20 Gauge Cold Rolled Steel
- ▶ Designed for use with 1-3/4" doors only
- ▶ Baked on powder coat finish
- ▶ Color: Standard Bronze
- ▶ Fasteners: #8 x 7/8" Flathead phillips head SMS



- (A) VISIBLE LIGHT = 2" UNDER ORDER SIZE
- (B) GLASS = 1" UNDER ORDER SIZE
- (C) ORDER SIZE = DOOR CUTOUT
- (D) 1-3/8" OVER ORDER SIZE
- (E) GLAZING TAPE

ITEM #	SIZE (DOOR CUTOUT)Width x Height	PCS/CTN
VL520	5" x 20"	6
VL535	5" x 35"	6
VL624	6" x 24"	6
VL626	6" x 26"	6
VL627	6" x 27"	6
VL630	6" x 30"	6
VL636	6" x 36"	6
VL722	7" x 22"	6
VL818	8" x 18"	6
VL830	8" x 30"	6
VL832	8" x 32"	6
VL836	8" x 36"	6
VL1010	10" x 10"	10
VL1212	12" x 12"	10
VL1414	14" x 14"	10
VL1818	18" x 18"	2
VL2020	20" x 20"	4
VL2030	20" x 30"	2
VL2424	24" x 24"	4
VL2430	24" x 30"	4
VL2432	24" x 32"	4
VL2434	24" x 34"	2
VL2436	24" x 36"	2
VL2460	24" x 60"	2
VL2464 *	24" x 64"	2

PRICES DO NOT INCLUDE GLASS

*Shaded Items are Non-Fire Rated.
See Lites & Louvers Intertek Certification for detailed information on Fire Ratings.

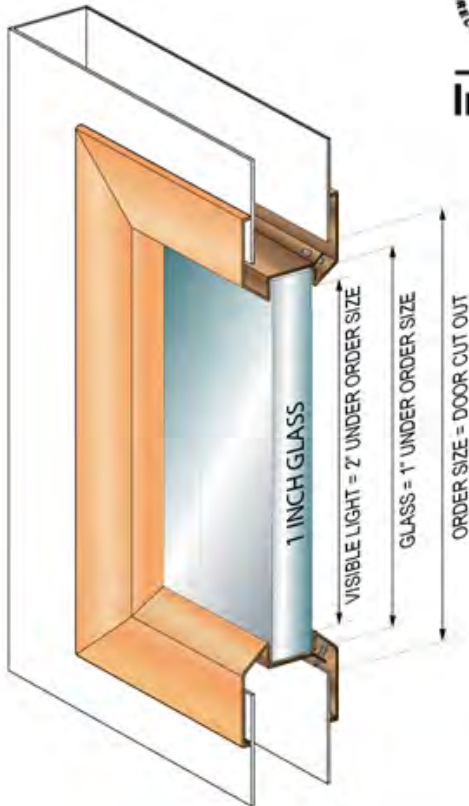


LITES List Prices ...

10VL SERIES, VISION LITE STANDARD PROFILE FOR 1" THICK GLASS



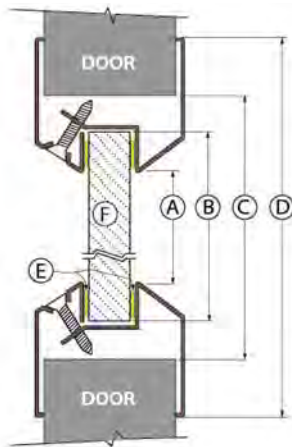
- ▶ 45-180 Minute Fire Rated Steel Vision Lites for 1" Glass
- ▶ Standard Profile Vision Lite for Fire Rated Doors
- ▶ Frame has Single-side Fasteners
- ▶ 20 Gauge Cold Rolled Steel
- ▶ Designed for use with 1-3/4" doors only
- ▶ Baked on powder coat finish
- ▶ Color: Standard Bronze
- ▶ Fasteners: #8 x 7/8" Flathead phillips head SMS



10VL, Beveled Vision Lite for 1" Thick Glass		
ITEM #	SIZE (DOOR CUTOUT)Width x Height	PCS/CTN
10VL627	6" x 27"	6
10VL722	7" x 22"	6
10VL832	8" x 32"	6
10VL1212	12" x 12"	10
10VL2424	24" x 24"	4
10VL2430	24" x 30"	4
10VL2432	24" x 32"	4
10VL2436	24" x 36"	2
10VL2456	24" x 56"	2
10VL2460	24" x 60"	2
10VL2464 *	24" x 64"	2

PRICES DO NOT INCLUDE GLASS

*Shaded Items are Non-Fire Rated.
See Lites & Louvers Intertek Certification
for detailed information on Fire Ratings.

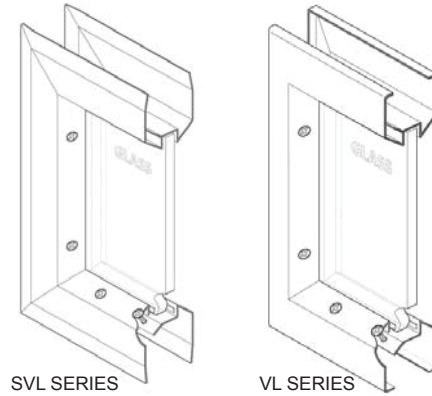


- (A) VISIBLE LIGHT = 2" UNDER ORDER SIZE
- (B) GLASS = 1" UNDER ORDER SIZE
- (C) ORDER SIZE = DOOR CUTOUT
- (D) 1-3/8" OVER ORDER SIZE
- (E) GLAZING TAPE
- (F) GLASS 1" THICK



**STANDARD & CUSTOM SIZES LITES
SVL & VL SERIES**

- ◆ Low and Standard Profile Vision Lites for Fire Rated Doors
- ◆ 20 Gauge Cold Rolled Steel
- ◆ For 3/16" to 1/4" Thick Glass
- ◆ Designed for use with 1-3/4" doors only
- ◆ Frame has single-sided fasteners
- ◆ Fasteners: #8 x 7/8" Flat Head Phillips SMS
- ◆ Baked on Powder Coat finish
- ◆ Color: Standard Bronze
- ◆ 45-180 Minute Fire Rated Steel Vision Lites
- Refer to chart below for sizes with fire ratings



		WIDTH OF OPENING (CUT OUT SIZE)																		
		5"	6"	7"	8"	10"	12"	14"	16"	18"	20"	22"	24"	26"	28"	30"	32"	34"	36"	
HEIGHT OF OPENING (CUT OUT SIZE)	4"	X	X	X	X	X	X	X	X	X	X	X	X	X	X	X	X	X	X	
	6"	X	X	X	X	X	X	X	X	X	X	X	X	X	X	X	X	X	X	X
	8"	X	X	X	X	X	X	X	X	X	X	X	X	X	X	X	X	X	X	X
	10"	X	X	X	X	X	X	X	X	X	X	X	X	X	X	X	X	X	X	X
	12"	X	X	X	X	X	X	X	X	X	X	X	X	X	X	X	X	X	X	X
	14"	X	X	X	X	X	X	X	X	X	X	X	X	X	X	X	X	X	X	X
	16"	X	X	X	X	X	X	X	X	X	X	X	X	X	X	X	X	X	X	X
	18"	X	X	X	X	X	X	X	X	X	X	X	X	X	X	X	X	X	X	X
	20"	X	X	X	X	X	X	X	X	X	X	X	X	X	X	X	X	X	X	X
	22"	X	X	X	X	X	X	X	X	X	X	X	X	X	X	X	X	X	X	X
	24"	X	X	X	X	X	X	X	X	X	X	X	X	X	X	X	X	X	X	X
	26"	X	X	X	X	X	X	X	X	X	X	X	X	X	X	X	X	X	X	X
	28"	X	X	X	X	X	X	X	X	X	X	X	X	X	X	X	X	X	X	X
	30"	X	X	X	X	X	X	X	X	X	X	X	X	X	X	X	X	X	X	X
	32"	X	X	X	X	X	X	X	X	X	X	X	X	X	X	X	X	X	X	X
	34"	X	X	X	X	X	X	X	X	X	X	X	X	X	X	X	X	X	X	X
	35"	X	X	X	X	X	X	X	X	X	X	X	X	X	X	X	X	X	X	X
	36"	X	X	X	X	X	X	X	X	X	X	X	X	X	X	X	X	X	X	X
	38"	X	X	X	X	X	X	X	X	X	X	X	X	X	X	X	X	X	X	X
	40"	X	X	X	X	X	X	X	X	X	X	X	X	X	X	X	X	X	X	X
	42"	X	X	X	X	X	X	X	X	X	X	X	X	X	X	X	X	X	X	X
	44"	X	X	X	X	X	X	X	X	X	X	X	X	X	X	X	X	X	X	X
	46"	X	X	X	X	X	X	X	X	X	X	X	X	X	X	X	X	X	X	X
	48"	X	X	X	X	X	X	X	X	X	X	X	X	X	X	X	X	X	X	X
	50"	X	X	X	X	X	X	X	X	X	X	X	X	X	X	X	X	X	X	X
	52"	X	X	X	X	X	X	X	X	X	X	X	X	X	X	X	X	X	X	X
	54"	X	X	X	X	X	X	X	X	X	X	X	X	X	X	X	X	X	X	X
	56"	X	X	X	X	X	X	X	X	X	X	X	X	X	X	X	X	X	X	X
58"	X	X	X	X	X	X	X	X	X	X	X	X	X	X	X	X	X	X	X	
60"	X	X	X	X	X	X	X	X	X	X	X	X	X	X	X	X	X	X	X	
62"	X	X	X	X	X	X	X	X	X	X	X	X	X	X	X	X	X	X	X	
64"	X	X	X	X	X	X	X	X	X	X	X	X	X	X	X	X	X	X	X	
66"	X	X	X	X	X	X	X	X	X	X	X	X	X	X	X	X	X	X	X	
68"	X	X	X	X	X	X	X	X	X	X	X	X	X	X	X	X	X	X	X	
70"	X	X	X	X	X	X	X	X	X	X	X	X	X	X	X	X	X	X	X	
72"	X	X	X	X	X	X	X	X	X	X	X	X	X	X	X	X	X	X	X	

All non stock items are made in the USA with fast lead times.
 All other sizes are available with minimum order requirement and lead time.
 For odd dimension Cut Outs: Use next larger even size.
 Prices do not include Glass and Glazing Tape.
 Glass fire rating may vary.

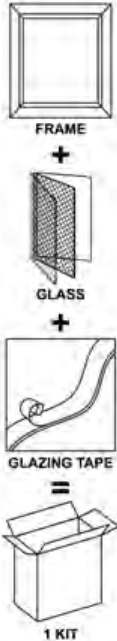
X Bold (with reversed italics) - In stock sizes, available for immediate shipping.
X Italicized X - Sizes with 45-180 min Fire Rating.
 X Shaded areas are Non-Fire Rated.
 Visible light is 2" under the order cut out size.

ORDER FORMAT: (Series type - SVL or VL) (cut-out width) (cut-out height); Example: SVL1832



LITE KITS

SVL KITS, VISION LITE LOW PROFILE

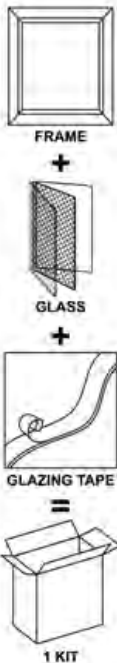


ITEM NO	SIZE (DOOR CUTOUT) Width x Height	GLASS SIZES	GLASS TYPES		
			Superlite I-W Wired Glass (WS) (1/4")	Tempered (TEMP)* (1/4")	Pyran® Platinum F (PPF) (3/16")
SVL535 + (glass type)	5" x 35"	4" x 34"	SVL535WSKIT	SVL535TEMPKIT	SVL535PPFKIT
SVL627 + (glass type)	6" x 27"	5" x 26"	SVL627WSKIT	SVL627TEMPKIT	SVL627PPFKIT
SVL722 + (glass type)	7" x 22"	6" x 21"	SVL722WSKIT	SVL722TEMPKIT	SVL722PPFKIT
SVL818 + (glass type)	8" x 18"	7" x 17"	SVL818WSKIT	---	---
SVL830 + (glass type)	8" x 30"	7" x 29"	SVL830WSKIT	---	---
SVL832 + (glass type)	8" x 32"	7" x 31	SVL832WSKIT	SVL832TEMPKIT	---
SVL836 + (glass type)	8" x 36"	7" x 35	SVL836WSKIT	SVL836TEMPKIT	---
SVL1212 + (glass type)	12" x 12"	11" x 11"	SVL1212WSKIT	SVL1212TEMPKIT	SVL1212PPFKIT
SVL2424 + (glass type)	24" x 24"	23" x 23"	SVL2424WSKIT	SVL2424TEMPKIT	---
SVL2430 + (glass type)	24" x 30"	23" x 29"	SVL2430WSKIT	SVL2430TEMPKIT	SVL2430PPFKIT
SVL2432 + (glass type)	24" x 32"	23" x 31"	SVL2432WSKIT	SVL2432TEMPKIT	---
SVL2436 + (glass type)	24" x 36"	23" x 35"	SVL2436WSKIT	SVL2436TEMPKIT	---
*SVL2464 + (glass type)	24" x 64"	23" x 63"	SVL2464WSKIT	SVL2464TEMPKIT	---

*Shaded Items are Non-Fire Rated.
See Lites & Louvers Intertek Certification for detailed information on Fire Ratings.

How to order: SVL ____ (W) ____ (H) _____ WS / TEMP / PPF (glass type) **KIT**
Example: **SVL 1212 TEMP KIT**

VL KITS, VISION LITE LOW PROFILE



ITEM NO	SIZE (DOOR CUTOUT) Width x Height	GLASS SIZES	GLASS TYPES		
			Superlite I-W Wired Glass (WS) (1/4")	Tempered (TEMP)* (1/4")	Pyran® Platinum F (PPF) (3/16")
VL535 + (glass type)	5" x 35"	4" x 34"	VL535WSKIT	VL535TEMPKIT	VL535PPFKIT
VL627 + (glass type)	6" x 27"	5" x 26"	VL627WSKIT	VL627TEMPKIT	VL627PPFKIT
VL722 + (glass type)	7" x 22"	6" x 21"	VL722WSKIT	VL722TEMPKIT	VL722PPFKIT
VL818 + (glass type)	8" x 18"	7" x 17"	VL818WSKIT	---	---
VL830 + (glass type)	8" x 30"	7" x 29"	VL830WSKIT	---	---
VL832 + (glass type)	8" x 32"	7" x 31	VL832WSKIT	VL832TEMPKIT	---
VL836 + (glass type)	8" x 36"	7" x 35	VL836WSKIT	VL836TEMPKIT	---
VL1212 + (glass type)	12" x 12"	11" x 11"	VL1212WSKIT	VL1212TEMPKIT	VL1212PPFKIT
VL2424 + (glass type)	24" x 24"	23" x 23"	VL2424WSKIT	VL2424TEMPKIT	---
VL2430 + (glass type)	24" x 30"	23" x 29"	VL2430WSKIT	VL2430TEMPKIT	VL2430PPFKIT
VL2432 + (glass type)	24" x 32"	23" x 31"	VL2432WSKIT	VL2432TEMPKIT	---
VL2436 + (glass type)	24" x 36"	23" x 35"	VL2436WSKIT	VL2432TEMPKIT	---
*VL2464 + (glass type)	24" x 64"	23" x 63"	VL2464WSKIT	VL2464TEMPKIT	---

*Shaded Items are Non-Fire Rated.
See Lites & Louvers Intertek Certification for detailed information on Fire Ratings.

How to order: VL ____ (W) ____ (H) _____ WS / TEMP / PPF (glass type) **KIT**
Example: **VL 1212 WS KIT**

Glazing Tape: Standard 1/16" x 3/8" applied to both sides of glass
Frame Finish: Standard Bronze



GLASS List Prices ...

GLASS REPLACEMENTS / ACCESSORIES

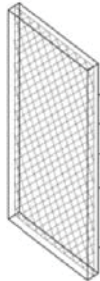
VISION LITE NARROW & STANDARD PROFILE, 1/4" & 3/16" GLASS THICKNESS

Glass sizes are measured 1" less than the cut out size



Tempered Glass

- ← Heat-treated clear safety glass that breaks into small particles
- ← Light Transmission: 86% approx
- ← Thickness: 1/4" (6 mm)
- ← Non-Fire Rated



SuperLite I-W Wired Glass

- ← Embedded 3/4" x 3/4" wire mesh
- ← Light Transmission: 86% approx
- ← Thickness: 1/4" (6 mm)
- ← Annealed single glazing with safety film applied to one side
- ← 20-90 Minute Fire Rating



PYRAN® Platinum F Glass

- ← Glass Ceramic
- ← Light Transmission: 80% approx
- ← Surface applied Heavy Duty Safety film
- ← Thickness: 3/16" (5 mm)
- ← 20-180 Minute Fire Rating

GLASS SIZES	WS (1/4")	TEMP (1/4")	PPF (3/16")
4" x 34"	WS434	TEMP434	PPF434
5" x 26"	WS526	TEMP526	PPF526
6" x 21"	WS621	TEMP621	PPF621
7" x 17"	WS717	---	---
7" x 29"	WS729	---	---
7" x 31"	WS731	TEMP731	---
7" x 35"	WS735	TEMP735	---
11" x 11"	WS1111	TEMP1111	PPF1111
23" x 23"	WS2323	TEMP2323	---
23" x 29"	WS2329	TEMP2329	PPF2329
23" x 31"	WS2331	TEMP2331	---
23" x 35"	WS2335	TEMP2335	---
23" x 63"	WS2363	TEMP2363	---

TEMP (Tempered Glass): Heat-strengthened glass and cannot be cut after manufacturing. Fire Rating: None. Clear wire free glass recommended for non fire rated applications. Use of glazing compound or glazing tape on both sides of glass is recommended to minimize breakage. Size: Minimum 2" x 2", max sheet size: 88" x 118".

WS (Superlite I-W Wired Glass): 20 ga CRS (Cold Rolled Steel) beveled vision lite, 1/4" wired glass with film. Glass is UL labeled standard. Fire Rating: 20 minutes to 90 minutes. Install in fire listed and labeled vision frames. Use of glazing compound or glazing tape on both sides of glass is recommended to minimize breakage. Size: Minimum 4" x 4", max rated size: 36" x 84".

PPF (PYRAN® Platinum F Glass): Glass is UL labeled standard. Fire Rating: 20 minute to 3 hours. Install in fire listed and labeled vision frames. Use of glazing compound or glazing tape on both sides of glass is recommended to minimize breakage. Size: Minimum 4" x 6", max sheet size: 43" x 77".

LITES & LOUVERS COMPARISON CHART

CAL-ROYAL	AIR LOUVERS	ANEMOSTAT	ADVANTAGE	NATIONAL GUARD	PEMKO
SVL	SLIMLINE	LO PRO	T4G	L-FRA100	LT-B1
VL	VLFEZ	BFL-123	784G	L-FRA100SP	---
10VL	VLF-EZ-IG	BFL-123-IS	XX84G	L-GLF100 TB	LT-SI
YLV	700A	FDLS	700AA	---	---
VLV	800A1	AFDL	8CY,4CY	L-700	LV-IY

The data on this chart represents our judgement of which are more similar. Since no product is exactly alike, the information has been obtained from trade sources. It is not guaranteed nor represented that any specific product exactly equals any other product. Construction of this products may be different.

LABOR SERVICES	LITES	LOUVERS
Cut out only up to and including 24 x 24 inches	✓	✓
Cut out only up to and including 24 x 64 inches	✓	✓
Cut out and perimeter channel reinforcing, if necessary, up to and including 24 x 64 inches (add on)	✓	✓
Louwer installation up to 24 x 24 inches		✓
Louwer installation up to 26 x 64 inches		✓
Lite installation up to 24 x 34 inches	✓	
Lite installation up to 24 x 64 inches	✓	
Lite installation of glass up to 24 x 34 inches	✓	
Lite installation of glass up to 24 x 64 inches	✓	

Note: Labor pricing does not include the cost of physical materials (lite or louvers, glass or glazing material, sealants, and other items used in the process of glass installation).

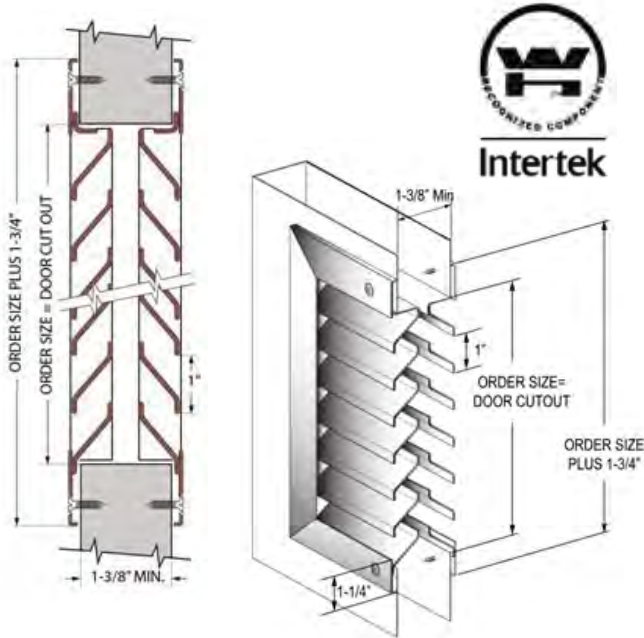
All charges shown are net cost and not subject to discounts. Special packaging charges may apply.



LOUVERS *List Prices . . .*

YLV, DIVIDED REVERSE "Y" BLADE LOUVERS

90 Minute Fire Rated Steel Louvers



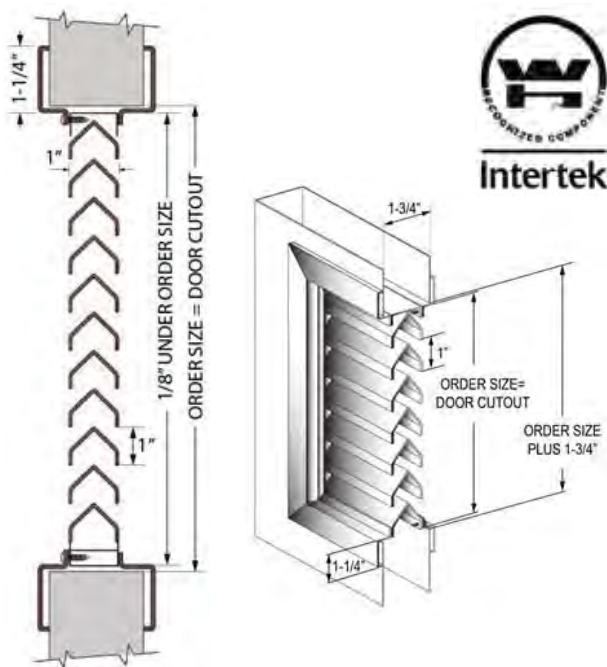
- ▶ For use in Fire Rated door applications under positive and neutral pressure Intertek testing certification in compliance to NFPA 252 (2000), UL 10C (2009), NFPA 252 (2012), CSI CIDE 89000 Louvers & Vents
- ▶ 18 Gauge cold rolled steel frame and blades
- ▶ Mitered welded corner frame construction
- ▶ Divided row "Y" blades spaced at 1" increments with blocked vision design
- ▶ Counter sunk mounting holes with screws for each side of the door
- ▶ Minimum door size thickness: 1-3/8"
- ▶ Baked on powder coat finish
- ▶ Color: Standard Bronze
- ▶ Fasteners: Phillips head screws #8 x 3/4"

ITEM #	SIZES (DOOR CUTOUT)	PCS/CTN
YLV1212	12" x 12"	4
YLV1812	18" x 12"	2
YLV1818 *	18" x 18"	4
YLV2412	24" x 12"	2
YLV2424 *	24" x 24"	1

*Shaded Items are Non-Fire Rated.
See Lites & Louvers Intertek Certification for detailed information on Fire Ratings.

VLV, INVERTED Y-BLADE LOUVERS

90 Minute Fire Rated Steel Louvers



- ▶ For use in Fire Rated door applications under positive and neutral pressure Intertek testing certification in compliance to NFPA 252 (2000), UL 10C (2009), NFPA 252 (2012), CSI CODE 089000 Louvers & Vents
- ▶ 18 Gauge cold rolled steel frame and blades
- ▶ Mitered welded corner frame construction
- ▶ Reverse "Y" blades are framed supported at 1" increments with blocked vision design
- ▶ Single side mounting for non corridor exposure with fastening screw included
- ▶ Designed for use with 1-3/4" doors only
- ▶ Baked on powder coat finish
- ▶ Color: Standard Bronze
- ▶ Fasteners: Phillips head screws #8 x 3/4"

ITEM #	SIZES (DOOR CUTOUT)	PCS/CTN
VLV1212	12" x 12"	4
VLV1218	12" x 18"	2
VLV1224	12" x 24"	2
VLV1812	18" x 12"	2
VLV1818 *	18" x 18"	2
VLV1824 *	18" x 24"	2
VLV1860 *	18" x 60"	2
VLV1864 *	18" x 64"	2
VLV2010	20" x 10"	2
VLV2412	24" x 12"	2
VLV2418 *	24" x 18"	2
VLV2424 *	24" x 24"	1
VLV2460 *	24" x 60"	2
VLV2464 *	24" x 64"	2

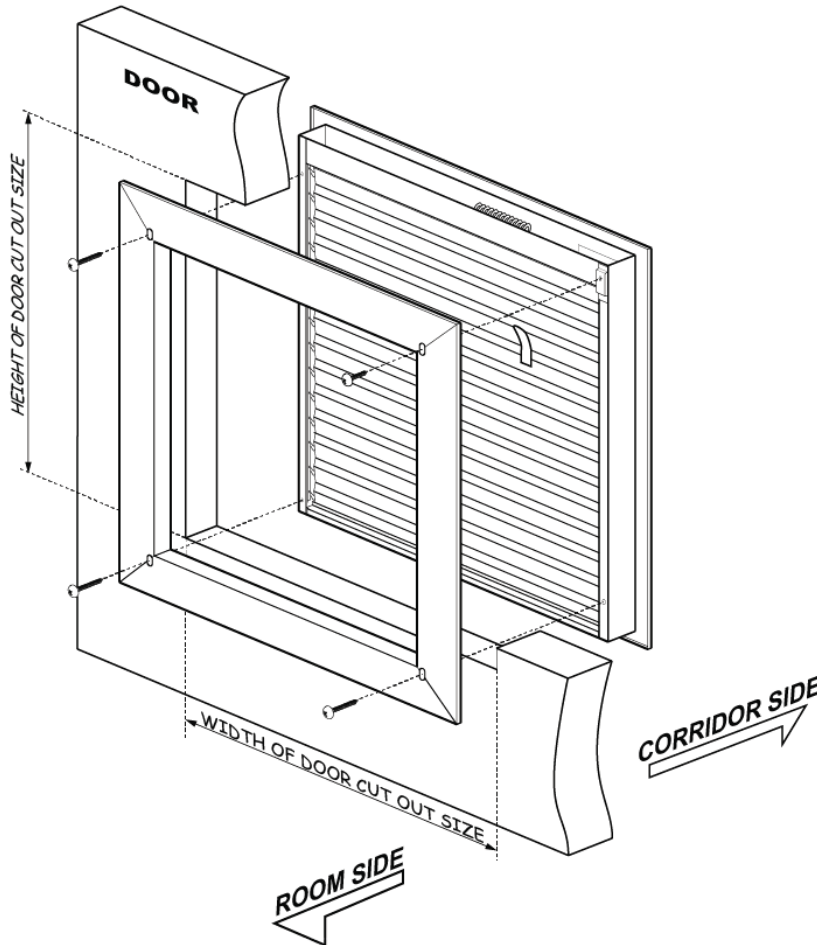
*Shaded Items are Non-Fire Rated.
See Lites & Louvers Intertek Certification for detailed information on Fire Ratings.



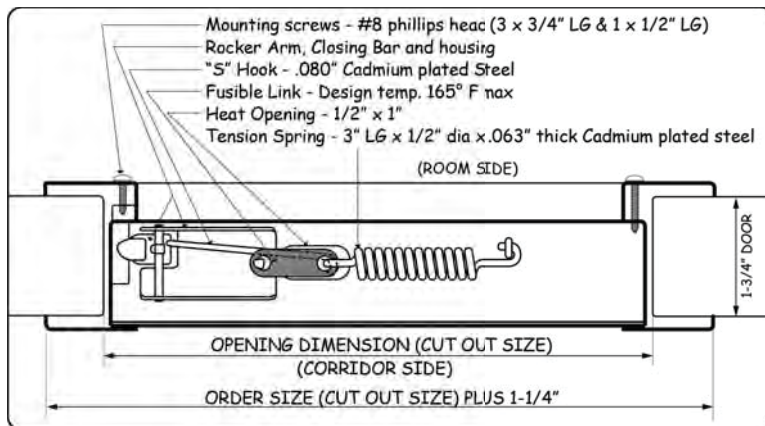
LOUVERS *List Prices ...*

FLLV, ADJUSTABLE FUSIBLE LINK LOUVERS

90 Minute Fire Rated Steel Louvers



- ▶ For use in Fire Rated door applications under positive and neutral pressure Intertek testing certification in compliance to NFPA 252 (2000), UL 10C (2009), NFPA 252 (2012), CSI CODE 089000 Louvers & Vents
- ▶ Fusible link design temperature 165°F max
- ▶ 16 Gauge cold rolled steel frame and blades
- ▶ Mitered welded corner frame construction
- ▶ Free Flow Area: 45% free
- ▶ 1-9/16" deep louver assembly
- ▶ Cadmium plated steel rivets
- ▶ Cadmium plated steel tension spring
- ▶ Door size thickness: 1-3/4" only
- ▶ Baked on powder coat finish
- ▶ Color: Standard Bronze
- ▶ Fasteners: 3 x 3/4" LG & 1 x 1/2" LG



ITEM #	SIZES (DOOR CUTOUT)	PCS/CTN
FLLV1212	12" x 12"	1
FLLV1224	12" x 24"	1
FLLV1812	18" x 12"	1
FLLV1818	18" x 18"	1
FLLV1824	18" x 24"	1
FLLV2412	24" x 12"	1
FLLV2418	24" x 18"	1
FLLV2424	24" x 24"	1



DKS DOOR ADDITIONAL PREPARATIONS AND SERVICES

Additional Door Preparations		
1.	Louver Cut Out	
	A. Cut-Out up to 24" X 12" Larger Cut-Out (Cut-Out Only)	
	B. Reinforce Cut-Out with Channel	
2.	Modification Rates	
	Aux Latch Prep for exit device	
	Security thru bolt	
	Roller Latch Prep	
	Relocate Hinge (per Hinge)	
	Prep for Concealed Vertical Rod	
	Card Lock Prep	
	Sectional Trim	
	Rim Panic Prep	
	Deadbolt Prep	
	Lock Edge & Face Blank	
	Flat Astragal Installed	
	Lock Prep 2 1/8" Bore	
	Roller Latch Prep	
	Automatic Door Bottom	
	Concealed Overhead Closer	
	Convert MB to ASA	
	Electric Hinge Prep	
	FB Prep Top & Bottom	
	Special Lock Location	
	Door Undercut	
	Mail Slot Cutout Only	
	Peep Hole	
	Retrofit Modifications (Per Hinge Cut-Out)	
	3.	Miscellaneous Items
		Labor Charges (per hour)
10' Channel		
Flat Astragal 6'8" ITEM# AST68		
Flat Astragal 7'0" ITEM# AST70		
Flat Astragal 8'0" ITEM#AST80		

	Wrap Around Astragal 6'8" ITEM# Z AST68
	Wrap Around Astragal 7'0" LH ITEM# Z AST70L
	Wrap Around Astragal 7'0" RH ITEM# Z AST70R
	Wrap Around Astragal 8'0" LH ITEM# Z AST80L
	Wrap Around Astragal 8'0" RH ITEM# Z AST80R
	Invert Top Channel
	Convert to MB
	Blank Out Hinge Preps Only on Door
	Electric Raceway
	Vacant Raceway
	Prep Door With 5" Hinge
	Open Back Strike Prep
4.	Labels/Mylar
	S Label
	20 Minute Label
	90 Minute Label
	45 Minute Label
	60 Minute Label
	Metal Fire Labels available upon request. Add:
5.	Factory Applied Finish Paint
	Door Size: 3070 Other sizes available on request. Price is for reference only on 3070 door. Contact factory for larger sizes. Minimum quantity 50 of same color



DKS FRAME ADDITIONAL PREPARATIONS AND SERVICES

Additional Frame Preparations
1. Assembled Welded Frames A. Single Opening B. Paired Opening C. Continuous Weld (add to above)
2. Anchors Welded In A. Wood/Steel Stud Single Frame (6) Paired Frame (8) Per Anchor Charge B. P&D On Frame (Includes Prep and Tube Anchor, Dynabolts or Wood Lags)
3. Flush Bolt Preparation on Header
4. Special Width on Header
5. Closer Reinforcement Standard or Parallel Single Frame Paired Frame
6. Blank Out Strike
7. Rim Panic Prep (Reinforce for Surface Mounted)
8. Deadbolt Prep on Frame
9. Convert Masonry to Drywall (Includes Drywall Compression Anchor with Screw and Retainer)
10. Mark and Bundle KD Frames (Per Frame)

11. Concealed Overhead Stop
12. Concealed Closer
13. SVR Head Prep
14. Aux Fire Latch
15. Prep frame for Continuous hinge
16. Electric hinge Prep (Per cut)
17. Jamb Undercut (Per side)
18. Electric Strike Prep
19. Relocate Hinge (Per hinge)
20. Roller Latch Prep
21. Concealed Vertical Rod Prep Head (Per each)
22. EPT
23. Ball Catch Prep on Head
24. Ball Catch Prep
25. Reinforcement for Door Coordinator (Single)
26. Reinforcement for Door Coordinator (Pair)
27. MAG Lock Reinforcement
28. Reinforce Header for Removable Mullion
29. Convert ASA Strike to T-Strike
30. Prep Frame for Concealed Stiffeners

ADDITIONAL SHOP SERVICES

► **Fabrication labor charges, windows, transom, and sidelites**

Item #	Cut and Notch for Fabrication
MJPE	Militer Joint Per End
SMPE	Saw Militer Per End
NOJPE	Notch Joint Per End
BJOPE	Butt Joint Per End

► **Welding charge per joint or unit**

Item #	Welding Charge Per Joint or Unit
LJ or TJ	L or T Type Joint
CROSSJ	Cross (+) Type Joint
4IS	4 Inch Sill
8IS	8 Inch Sill
AWI	Anchor Welded In Per Each
BANWI	Base Anchor Welded In Per Each

► **Factory Applied Paint Finish**

- 5000 Series Drywall Frames Only
- Minimum quantity 50 of same color.

Metal Fire Labels Available upon request



The demand for our door and frame accessories have been rapidly increasing recently, and we feel that it is our part to satisfy our customers by upgrading our products from time to time. Just recently we initiated the use of **Dichromate Plating** and **Prime Coating** on some of our accessories. Production of these upgrades is on the way and soon it will be on our shelves for distribution. Meanwhile, we may still be supplying the old conventional finish until these new accessories are at hand.

The following are the list of accessories upgraded.

PRIME COATING	
ITEM NO.	DESCRIPTION
MAS875-1	Masonry Tube Anchors
MAS775-2	Masonry Tube Anchors
MAS675-3	Masonry Tube Anchors
MAS575-4	Masonry Tube Anchors
MAS825-5	Masonry Tube Anchors
MAS625-6	Masonry Tube Anchors
MPAA-10	Multi-Purpose Adjustable Anchor
HDADWA	Heavy Duty Adjustable Drywall Anchor
LADWA-11	Large Adjustable Drywall Anchor
FA-HD	Heavy Duty Floor Anchor
FA-L	Floor Anchor, Large
FA-S	Floor Anchor, Small

DICHROMATE PLATING	
ITEM NO.	DESCRIPTION
SAC-5	Strap Anchor
ADWA-12	Adjustable Drywall Anchor
MLCYL-3	Conversion Assembly
MLASA-4	Conversion Assembly
MLF86-1	Mortise Lock Edge Filler
161CP	Cylindrical Lock Cover Plate

THIS PAGE INTENTIONALLY LEFT BLANK

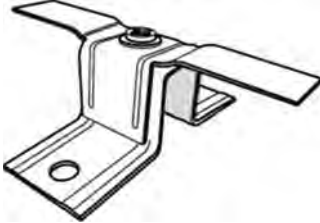
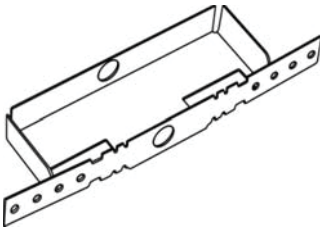
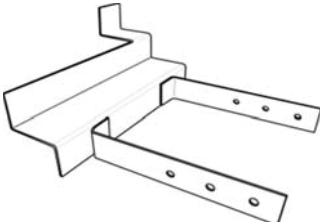
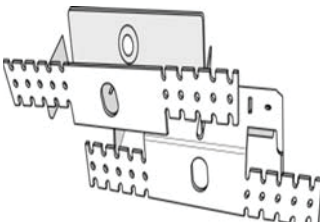
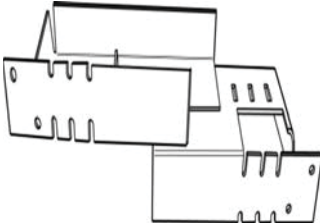
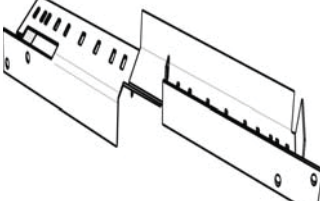


DKS ACCESSORIES

ILLUSTRATION	ITEM#	DESCRIPTION
ANCHORS		
	SAC-5	Strap Anchor Dimensions: 1"W x 1"H x 5"L Five 3/16" Nailing Holes Thickness: 18 Ga.
	MASONRY TUBE ANCHORS	Masonry Tube Anchor 3/4" EMT Tubing 2" Strap Width Thickness: 16 Ga. MAS575-4 for 5 3/4" Unequal Rabbet MAS625-6 for 6 1/4" Unequal Rabbet MAS675-3 for 6 3/4" Unequal Rabbet MAS775-2 for 7 3/4" Unequal Rabbet MAS825-5 for 8 1/4" Unequal Rabbet MAS875-1 for 8 3/4" Unequal Rabbet
	MASONRY T ANCHORS	Masonry Tee Anchor 1" Round Holes 1/4" Locking Flange Thickness: 16 Ga. TANC5581 for 5 3/4" Frame TANC6584 for 6 3/4" Frame TANC7583 for 7 3/4" Frame TANC8582 for 8 3/4" Frame
	EX-BOLT	Expansion Bolt Anchor 1" Dia. Hole
	EX-BOLT-58	Expansion Bolt Anchor 5/8" Dia. Hole
	EMA-634	Existing Masonry Anchor For 4 3/4" - 6 3/4" Frames Best for existing wall applications



DKS ACCESSORIES

ILLUSTRATION	ITEM#	DESCRIPTION
	PRECLAM-8	Drywall Compression Anchor 1/4" – 20 x 1" Machine Screw
	<p>WS575 WS625</p> <p>WS675 WS7125 WS775</p> <p>WS825 WS875</p>	<p>Wood Stud Anchor Welded Type Thickness: 18 Ga.</p> <p>Wood Stud Anchor for 5 3/4" Frame Wood Stud Anchor for 6 1/4" Frame</p> <p>Wood Stud Anchor for 6 3/4" Frame Wood Stud Anchor for 7 1/4" Frame Wood Stud Anchor for 7 3/4" Frame</p> <p>Wood Stud Anchor for 8 1/4" Frame Wood Stud Anchor for 8 3/4" Frame</p>
	MPSA-15	Multi-Purpose Stud Anchor for Double Egress Frame Fits standard double egress sizes
	MPAA-10	Multi-Purpose Adjustable Anchor (2 per set) Can be used as a single 8 3/4" wood/metal stud or complete opening anchor
	HDADWA	Heavy Duty Adjustable Drywall Anchor (2 per set) Thickness: 18 Ga. Fits frame sizes 5 3/4" to 8 3/4"
	LADWA-11	Large Adjustable Drywall Anchor (2 per set) Thickness: 18 Ga. Fits frame 7" to 12" Anchor marked with different frame sizes

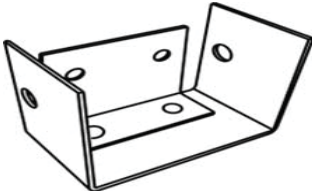
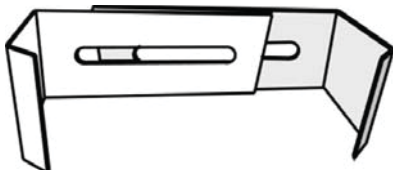
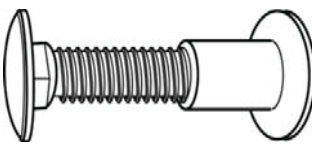
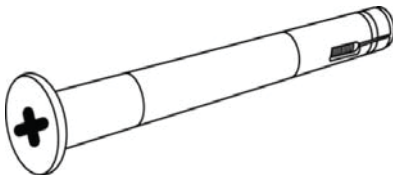
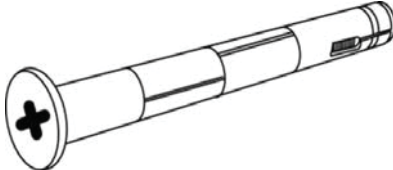
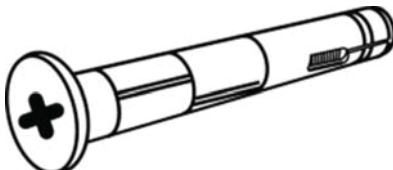

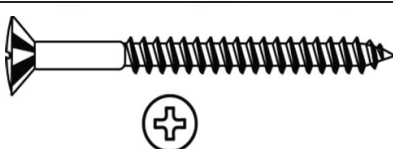



DKS ACCESSORIES

ILLUSTRATION	ITEM#	DESCRIPTION
	ADWA-12	Adjustable Drywall Anchors (2 per set) For 4 3/4" to 6 3/4" frames
	MAS01	Wire Masonry Anchor
	SS575 SS775 SS825	Steel Stud Anchor Welded Type Thickness: 18 Ga. Steel Stud for 5 3/4" Frame Steel Stud for 7 3/4" Frame Steel Stud for 8 1/4" Frame
	SFA-834	Sidelite Floor Anchor Fits frame sizes from 4 3/4" to 8 3/4"
	AFANC-22	Adjustable Floor Anchor Thickness: 16 Ga.
	FA-L	Large Floor Anchor From 7 3/4" to 9 3/4" Thickness: 18 Ga.
	FA-S	Small Floor Anchor From 4 3/4" to 6 3/4" Thickness: 18 Ga.
	FA-HD	Heavy Duty Floor Anchor Dimensions: 5 1/4"W x 2 3/8"H



DKS ACCESSORIES

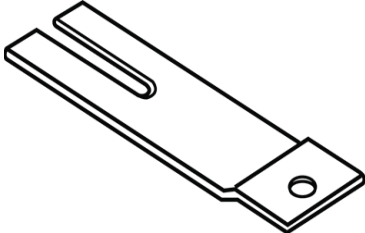
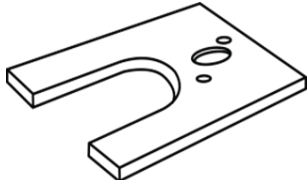
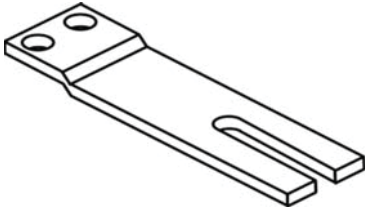
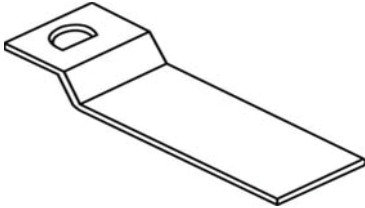
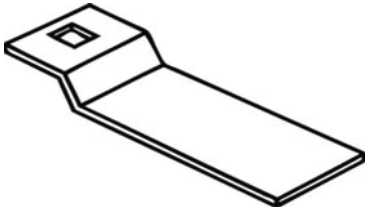
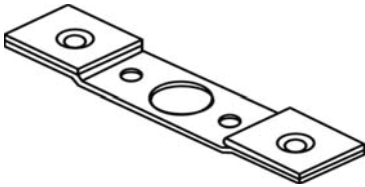
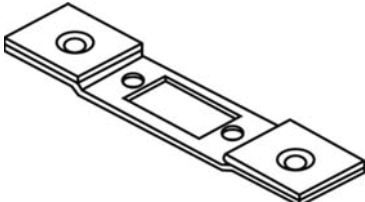
ILLUSTRATION	ITEM#	DESCRIPTION
	RMC-13	Removable Mullion Clip
	AMBA-14	Adjustable Mullion Base Anchor Fits frames from 4 3/4" to 8 3/4" (2 pieces per set)
	TB-14	Thru-Bolt 1/4" Dia. For doors 1 3/4" or less. Best used for latch protectors, door savers, louvers, etc...
	DY-5	Stud Dynabolt Anchor 5" Long x 3/8" Dia.
	SBA-438	Stud Bolt Anchor 4" Long x 3/8" Dia
	SBA-382	Stud Bolt Anchor 3" Long x 3/8" Dia.
	WSA-4	Wood Lag Screws 4" Long 3/8" Dia.
	WD-6	Wood Lag Screws 6" Long 3/8" Dia.
	PPB-16	3/4" Plastic Plug Button



DKS ACCESSORIES

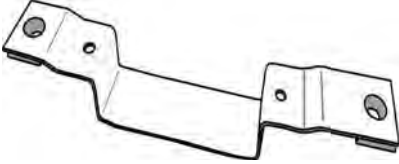
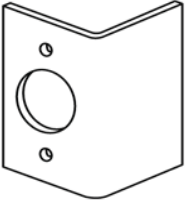
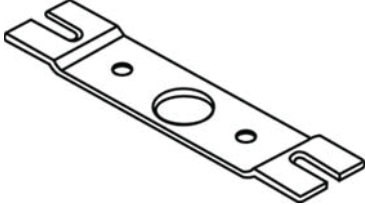
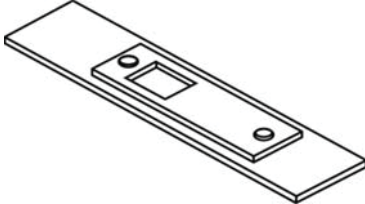
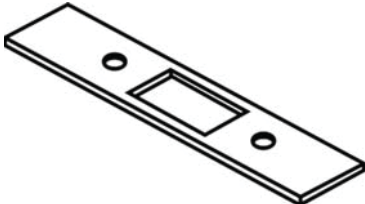
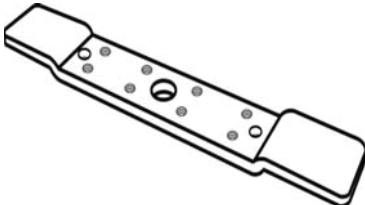
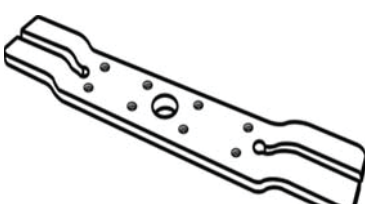
ILLUSTRATION	ITEM#	DESCRIPTION
--------------	-------	-------------

HARDWARE REINFORCEMENT

	ASATAB-7	4 7/8" Strike Reinforcement, Split Tail Dimensions: 1" x 2 1/2" Tab 3/32" Offset 12-24 Tap Thickness: 11 Ga.
	EDG-9	Exit Device Guide Dimensions: 1 3/8" x 2" 2 Holes 8-32 Tap Thickness: 10 Ga.
	FBTAB-6	Flush Bolt Tabs, Split Tail Dimensions: 1" x 2 1/2" 3/32" Offset 8-32 Tap 1/2" C/L for 1" Body Thickness: 11 Ga.
	FBGID-4	Flush Bolt Guide 5/16" Offset 1/2" D-Hole For Door Top & Bottom Thickness: 12 Ga.
	FBGIS-3	Flush Bolt Guide 5/16" Offset 1/2" Square-Hole For Door Top & Bottom Thickness: 12 Ga.
	MLCYL-3	Conversion Assembly Mortise Lock to Cylindrical Lock Dimensions: 1 1/4" x 8" 3/8" Off Center Face Plate: 1 1/8" x 2 1/4" Thickness: 12 Ga.
	MLASA-4	Conversion Assembly Mortise Lock to 4 7/8" Strike Dimensions: 1 1/4" x 8" 3/8" Off Center Face Plate: 1 1/8" x 2 1/4" Thickness: 12 Ga.



DKS ACCESSORIES

ILLUSTRATION	ITEM#	DESCRIPTION
	CFP-34	86 to ASA Conversion Filler Plate Converts 86 edge to ASA strike
	DBCONV-2	Dead Lock Reinforcement Plate for 1 3/4" Doors Dimensions: 2 3/16" x 1 3/8" x 1 9/16" Thickness: 14 Ga.
	DBLAT-1	Cylindrical Lock – Dead Lock, Split Tail Dimensions: 1 1/4" x 4 1/2" 3/32" Offset 1" Hole 8-32 Tap Thickness: 12 Ga.
	FLUSHSTRK-2	Reversible Flush Bolt Strike With Backing Plate Dimensions: 1 1/8" x 3 3/4" 3/32" Offset 8-32 Tap Thickness: 16 Ga.
	TSTRK-2	2 3/4" Strike Reinforcement (for frame and door) Dimensions: 1" x 2 1/2" 7/8" x 1 1/4" Hole 8-32 Tap Thickness: 12 Ga.
	FRHR-1	4 1/2" Frame Hinge Reinforcement Use: For 4 1/2" hinges Dimensions: 3/16" x 1 1/4" x 8" Thickness: 10 Ga.
	DHRF-825	4 1/2" Door Hinge Reinforcement, Split Tail Use: For 4 1/2" hinges Dimensions: 3/16" x 1 1/4" x 8" Thickness: 10 Ga.


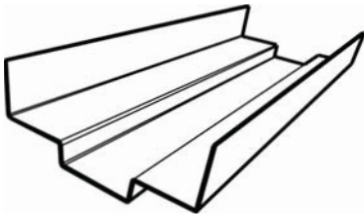
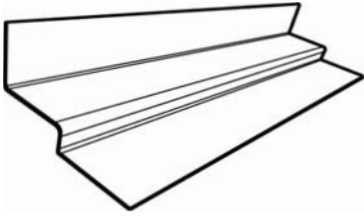


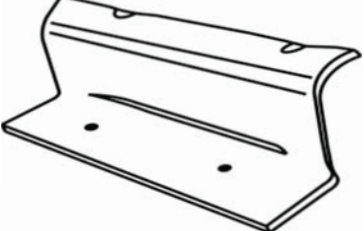


DKS ACCESSORIES

ILLUSTRATION	ITEM#	DESCRIPTION
	HSADJ-516	Slotted screws for non-handed adjustment on hinge reinforcement Size: 12-24 Thread Length: 5/16" Qty: 1 pc
	HR-U	Universal Hinge Reinforcement For both doors and frames Use: For 4 1/2" hinges Dimensions: 1 1/4" x 8 3/4" Thickness: 10 Ga.
	HR-HD50	Heavy Duty Hinge Reinforcement Use: For 5" hinges Dimensions: 1 1/4" x 10" Thickness: 7 Ga.
	HR-HD45	Heavy Duty Hinge Reinforcement Use: For 4 1/2" hinges Dimensions: 1 1/4" x 10" Thickness: 7 Ga.
	DHR-29	Convertible Hi-Frequency Door Hinge Reinforcement To be used for both doors and frames Use: For 4 1/2" hinges Dimensions: 1 1/4" x 8 3/4" Thickness: 10 Ga.
	CBRKT-26	Corner Bracket Frames
	C-BRKT (Left) C-BRKR (Right)	Handed Corner Bracket/Frame For LH or RH
	CRO1	Closer Reinforcement Dimensions: 1 3/4" x 16" Thickness: 12 Ga.



DKS ACCESSORIES

ILLUSTRATION	ITEM#	DESCRIPTION
	DC-10	<p>C Channel Door / Framing channel for reinforcing steel doors in listed glass frame Sold in lengths of 10' and can be cut to size Dimensions: 3/4" x 3/4" x 10' Thickness: 0.053 in. (16 gauge)</p>
	CRFP-30	<p>Full Profile Closer Reinforcement 14" Long for 5 3/4" frame depth</p>
	CRHP-31	<p>Half Profile Closer Reinforcement for unequal rabbet 14" long</p>
	RCLIP-32	<p>Reinforcing Clip High frequency clip</p>
	MCLIP-33	<p>Mounting Clip For transom panel</p>
	M-BRKT	Mullion Bracket

**DKS ACCESSORIES**

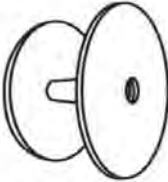

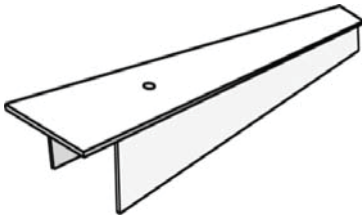
ILLUSTRATION	ITEM#	DESCRIPTION
	FBDG-LR	Flush Bolt Door Guide (Reversible) 4 x 8-32 Thread
	FBDG-LH (Left) FBDG-RH (Right)	Handed Flush Bolt Door Guide 4 x 8-32 Thread

FILLER PLATES

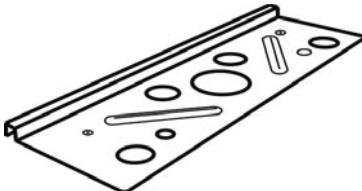
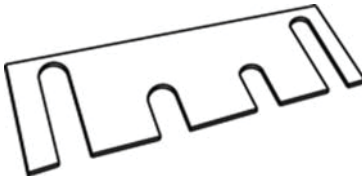
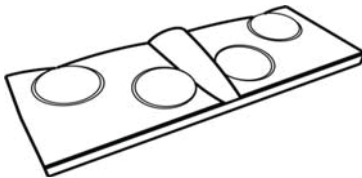

	LFF	161 Cylindrical Lock Edge Filler Machined C.S. Holes Use: For Doors Dimensions: 1 1/8" x 2 1/4" Thickness: 11 Ga.
	DBFIL-5	Deadlock Edge Filler Machined C.S. Holes Use: For Frames Dimensions: 1 1/8" x 2 1/4" Thickness: 10 Ga.
	SF	Strike Filler Use: For Frames Dimensions: 1 1/4" x 4 7/8" 1 5/8" at Lip Thickness: 11 Ga.
	ASA-FP	ASA Blank Filler Plate Use: For Frames Dimensions: 1 1/4" x 4 7/8"
	MLF86-1	86 Mortise Lock Edge Filler Machined C.S. Holes Use: For Doors Dimensions: 1 1/4" x 8" Thickness: 16 Ga.
	HB-FP	Hinge Blank Filler Plate Use: For Doors 4 1/2" hinges
	HFPLT	Hinge Filler Plate Use: For Doors and Frames 4 1/2" hinges



DKS ACCESSORIES

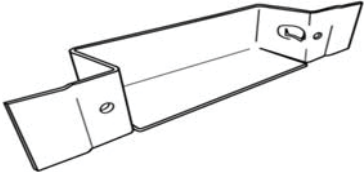
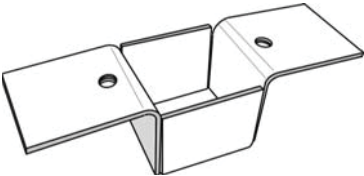
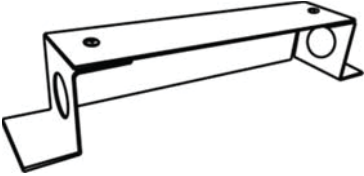
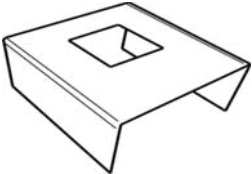
ILLUSTRATION	ITEM#	DESCRIPTION
	161CP	Cylindrical Lock Cover Plate Used for covering 2 1/8" diameter 161 hole
	CLFC-78	Cylindrical Lock Face Cover Thickness: 18 Ga.
	T-CAP-36 T-CAP-120	Screw-In Steel Top Cap Dimensions: 1 3/4"W x 1 5/8"H x 35 3/4"L Thickness: 20 Ga. Dimensions: 1 3/4"W x 1 5/8"H x 120"L Can be cut to desired length. Specify length on order. Any fraction of a foot is considered a foot.

BOX RECEPTACLES



	HINGE SHIM-94	4 1/2" Hinge Shim Reversible
	HSHIMS-B	Hinge Shims Thickness: 16 Ga. For 4 1/2" template butts
	FHRPC-27	Frame Hinge Reinforcement Plate Cover
	DMB-28	Dust Mortar Box For 4 1/2" hinge reinforcement



DKS ACCESSORIES




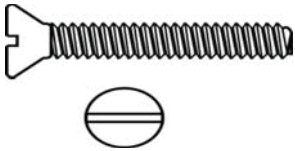
ILLUSTRATION	ITEM#	DESCRIPTION
	DBOX-638	Dust Box Dimensions (Inner Box): Length: 3 5/8" Width: 1 3/8" Height: 1 3/16" Total Length: 6 3/8" 14 Gauge
	FBSBOX-36	Flush Bolt Strike Box
	EMB-24	Electric Mortar Box Standard 7" Steel
	AFB-CAP	Automatic Flushbolt Cap

SCREWS

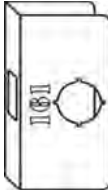

	KPS-17	Kick Plate Screw Length: 1/4" Head: Phillips, Oval head Type: Metal Screw Finish: US26D
	ST-610	#6 TEK 1" Self-Tapping Screw Length: 1" Head: Phillips, Oval head Type: Self-Drilling, Self-Tapping Finish: US26D
	ST8-114	#8 TEK 1 1/4" Self-Tapping Screw Length: 1 1/4" Head: Phillips, Oval head Type: Self-Drilling, Self-Tapping Finish: US26D



DKS ACCESSORIES







ILLUSTRATION	ITEM#	DESCRIPTION
	ST-615	#6 TEK 1/2" Self-Tapping Screw Length: 1/2" Head: Phillips, Oval head Type: Self-Drilling, Self-Tapping Finish: US26D
	MS-832	8/32 Machine Screw Length: 8-32 Thread Head: Phillips, Undercut – Flat head Type: Machine screw Finish: US26D
	ST-MS1224	12-24 Screw Length: 12-24 Thread Head: Phillips, Undercut – Flat head Finish: US26D
	MS2FH	Machine Screw 2" Flat Head Length: 2", 1/4" Thread Head: Flat head Type: Machine screw Finish: US26D

MISCELLANEOUS

	DORT-161	161 Door Template Create a quick and precise 2 1/8" bore and latch prep using this template
	DORT-DB	Door Deadbolt Template Create a quick and precise 1 1/2" bore and latch prep using this template


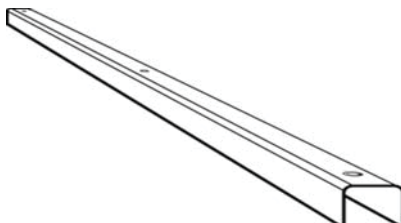

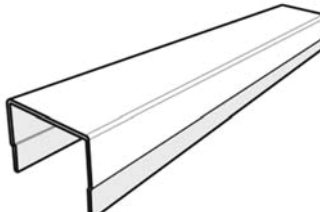




DKS ACCESSORIES

ILLUSTRATION	ITEM#	DESCRIPTION
	DORT-ASA	Door ASA Template Create a quick and precise 4 7/8" ASA cut-out on a door using this template
	DORT-FBLT	Door Flush Bolt Template Create a quick and precise 1" x 6 3/4" flush bolt cut-out on an inactive door using this template
	DORT-86	86 Edge Template Create a quick and precise 8" Mortise lock cut-out on a door using this template
	FRMT-ASA	Frame ASA Template Create a quick and precise ASA cut-out on a frame using this template
	FRMT-DB	Frame Deadbolt Template Create a quick and precise deadbolt cut-out on a frame using this template
	FRMT-FBLT	Frame Flush Bolt Template Used to make accurate flush bolt cut-outs on a frame



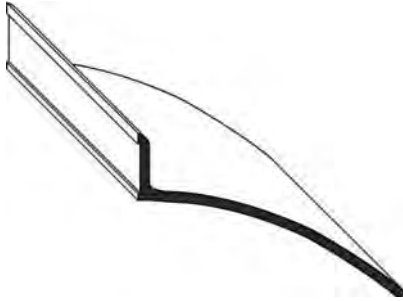
DKS ACCESSORIES

ILLUSTRATION	ITEM#	DESCRIPTION
	HT412	Hinge Template 4 1/2" Create a quick and precise 4 1/2" hinge cut-out on a frame using this template
	GS-22	Glass Stop Holes drilled at 7" centers Dimensions: 5/8" x 5/8" x 10" Packed with TEK screws
	SCC-19	Steel Capping Channel Dimensions: 1 3/4" W x 1 5/8" H x 36" L Thickness: 18 Ga.
	DREXT-18	Door Extender Dimensions: 1 3/4" W x 1 3/8" H x 36" L Thickness: 16 Ga.
	SB36 SB48 SB72	Spreader Bar Thickness: 16 Ga. Dimensions: 3/4" W x 3/4" H x 36" L Dimensions: 3/4" W x 3/4" H x 48" L Dimensions: 3/4" W x 3/4" H x 72" L
	DSM21	Door Silencer Dimensions: 1/2" Dia. x 1 1/16" Length Use: For Metal Frames



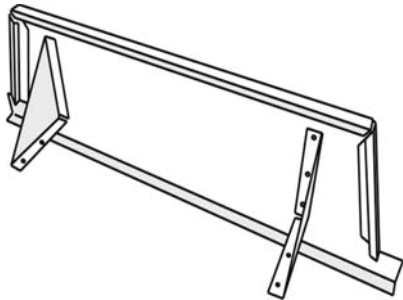
DKS ACCESSORIES

ILLUSTRATION	ITEM#	DESCRIPTION
--------------	-------	-------------



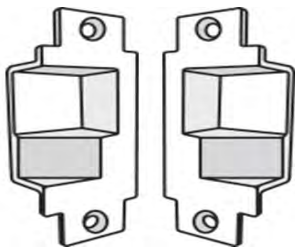
CR44640

Door Frame Drip Cap
Length: 40"
Thickness: 18 Ga.
Finish: Mill Aluminum Finish



DDS-21

Dutch Door Shelf



OBSTRK-LH
(left hand)

Handed Open Back Strike
Finish: US32D

OBSTRK-RH
(right hand)



SPCAN-82

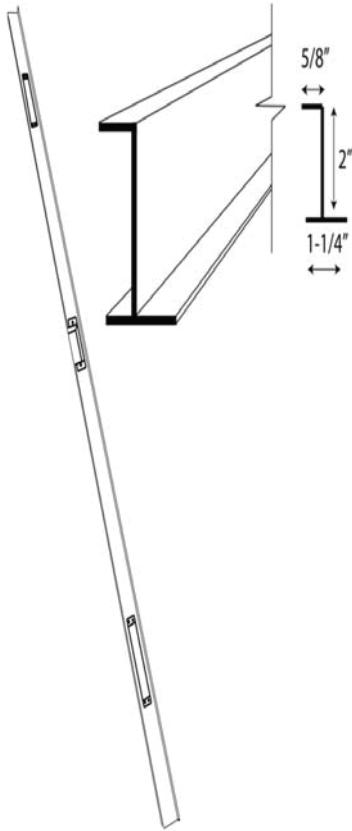
Prime Coat Spray Can



DKS ACCESSORIES

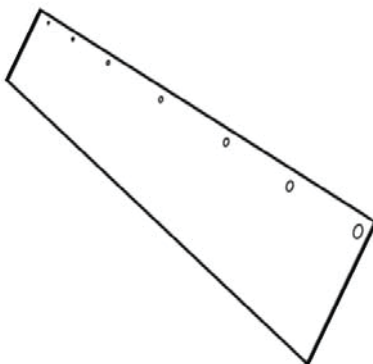
ILLUSTRATION	ITEM#	DESCRIPTION
--------------	-------	-------------

ASTRAGALS



Wrap-around Astragal
 Length: 6'8", 7'0" and 8'0"
 Thickness: 16 Ga.

ZAST68	6'8" Non-Handed
ZAST70L	7'0" Left Hand
ZAST70R	7'0" Right Hand
ZAST80L	8'0" Left Hand
ZAST80R	8'0" Right Hand
ZAST68 CE	6'8" CECO location
ZAST68 CU	6'8" CURRIES location
ZAST68 REP	6'8" REPUBLIC location
ZAST70L CE	7'0" Left Hand CECO location
ZAST70R CE	7'0" Right Hand CECO location
ZAST70L CU	7'0" Left Hand CURRIES location
ZAST70R CU	7'0" Right Hand CURRIES location
ZAST70L REP	7'0" Left Hand REPUBLIC location
ZAST70R REP	7'0" Right Hand REPUBLIC location



Flat Astragal
 Dimensions: 1/8" thick x 2" wide

AST68	6'8"
AST70	7'0"
AST80	8'0"