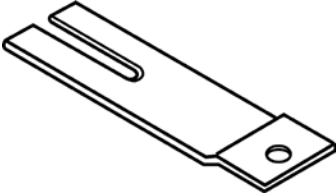
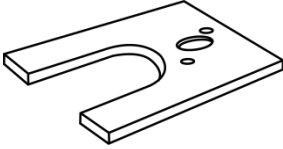
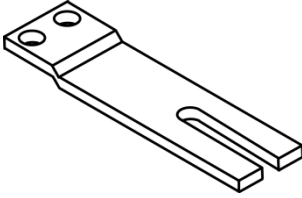
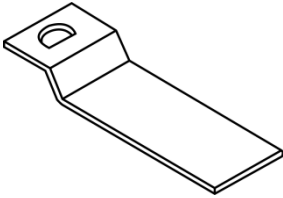
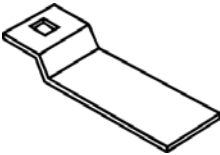
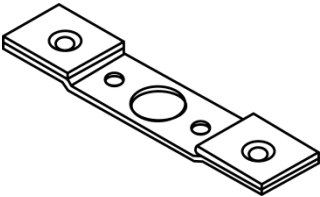
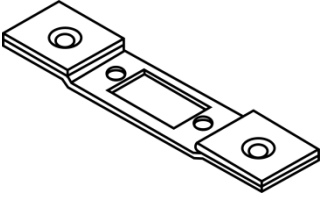



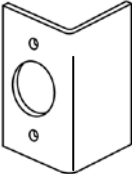
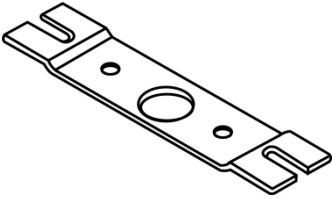
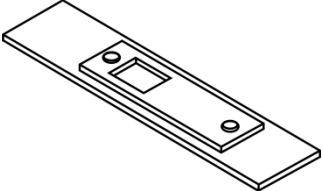
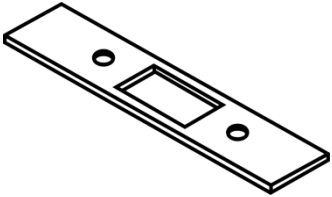
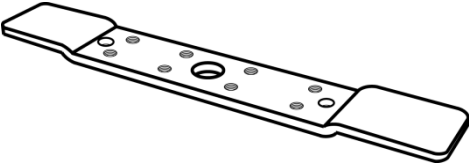
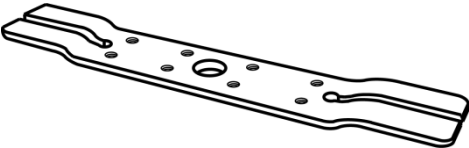


# ACCESSORIES

ILLUSTRATION	ITEM #	DESCRIPTION
	<b>ASATAB-7</b>	4 7/8" Strike Reinforcement, Split Tail Can be used for FED 86 Dimensions: 1" x 2 1/2" Tab 3/32" Offset 12-24 Tap Thickness: 11 Ga.
	<b>EDG-9</b>	Exit Device Guide Dimensions: 1 3/8" x 2" 2 Holes 8-32 Tap Thickness: 10 Ga.
	<b>FBTAB-6</b>	Flush Bolt Tabs, Split Tail Dimensions: 1" x 2 1/2" 3/32" Offset 8-32 Tap 1/2" C/L for 1" Body Thickness: 11 Ga.
	<b>FBGID-4</b>	Flush Bolt Guide 5/16" Offset 1/2" D-Hole For Door Top & Bottom Thickness: 12 Ga.
	<b>FBGIS-3</b>	Flush Bolt Guide 5/16" Offset 1/2" Square-Hole For Door Top & Bottom Thickness: 12 Ga.
	<b>MLCYL-3</b>	Conversion Assembly Mortise Lock to Cylindrical Lock Dimensions: 1 1/4" x 8" 3/8" Off Center Face Plate: 1 1/8" x 2 1/4" Thickness: 12 Ga.
	<b>MLASA-4</b>	Conversion Assembly Mortise Lock to 4 7/8" Strike Dimensions: 1 1/4" x 8" 3/8" Off Center Face Plate: 1 1/8" x 2 1/4" Thickness: 12 Ga.



## ACCESSORIES

ILLUSTRATION	ITEM #	DESCRIPTION
	<b>CFP-34</b>	86 to ASA Conversion Filler Plate Converts 86 edge to ASA strike
	<b>DBCONV-2</b>	Dead Lock Reinforcement Plate for 1 $\frac{3}{4}$ \" Doors Dimensions: 2 $\frac{3}{16}$ \" x 1 $\frac{3}{8}$ \" x 1 $\frac{9}{16}$ \" Thickness: 14 Ga.
	<b>DBLAT-1</b>	Cylindrical Lock – Dead Lock, Split Tail Dimensions: 1 $\frac{1}{4}$ \" x 4 $\frac{1}{2}$ \", $\frac{3}{32}$ \" offset 1\" Hole, 8-32 Tap Thickness: 12 Ga.
	<b>FLUSHSTRK-2</b>	Reversible Flush Bolt Strike With Backing Plate Dimensions: 1 $\frac{1}{8}$ \" x 3 $\frac{3}{4}$ \", $\frac{3}{32}$ \" Offset 8-32 Tap Thickness: 16 Ga.
	<b>TSTRK-2</b>	2 $\frac{3}{4}$ \" Strike Reinforcement (frame & door) Dimensions: 1\" x 2 $\frac{1}{2}$ \" $\frac{7}{8}$ \" x 1 $\frac{1}{4}$ \" Hole 8-32 Tap Thickness: 12 Ga.
	<b>FRHR-1</b>	4 $\frac{1}{2}$ \" Frame Hinge Reinforcement (Door/Frame) Use: For 4 $\frac{1}{2}$ \" hinges Dimensions: $\frac{3}{16}$ \" x 1 $\frac{1}{4}$ \" x 8\" Thickness: 10 Ga.
	<b>DHRF-825</b>	4 $\frac{1}{2}$ \" Door Hinge Reinforcement, Split Tail Use: For 4 $\frac{1}{2}$ \" hinges Dimensions: $\frac{3}{16}$ \" x 1 $\frac{1}{4}$ \" x 8\" Thickness: 10 Ga.

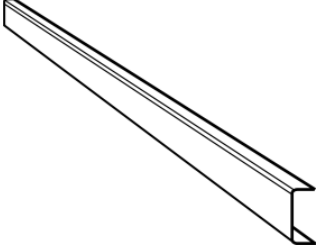
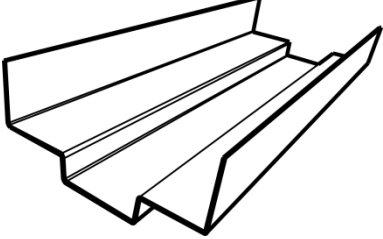
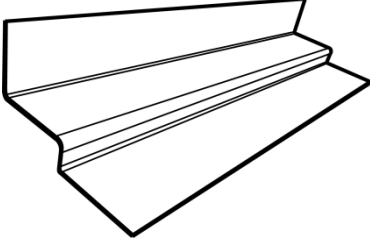
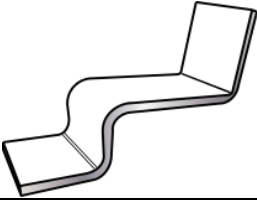
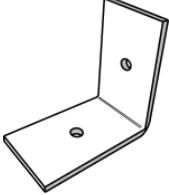
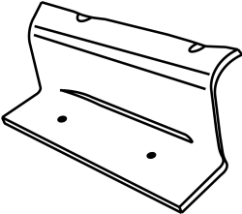


# ACCESSORIES

ILLUSTRATION	ITEM #	DESCRIPTION
	HSADJ-516	Slotted screws for non-handed adjustment on hinge reinforcement Size: 12-24 Thread Length: 5/16" Qty: 1 pc
	HR-U	Universal Hinge Reinforcement For both doors and frames Use: For 4 1/2" hinges Dimensions: 1 1/4" x 8 3/4" Thickness: 10 Ga.
	HR-HD50	Heavy Duty Hinge Reinforcement Use: For 5" hinges Dimensions: 1 1/4" x 10" Thickness: 7 Ga.
	HR-HD45	Heavy Duty Hinge Reinforcement Use: For 4 1/2" hinges Dimensions: 1 1/4" x 10" Thickness: 7 Ga.
	DHR-29	Convertible Hi-Frequency Door Hinge Reinforcement To be used for both doors and frames Use: For 4 1/2" hinges Dimensions: 1 1/4" x 8 3/4" Thickness: 10 Ga.
	CBRKT-26	Corner Bracket Frames
	C-BRKT (Left) C-BRKR (Right)	Handed Corner Bracket/Frame For LH or RH
	CRO1	Closer Reinforcement Dimensions: 1 3/4" x 16" Thickness: 12 Ga.



## ACCESSORIES

ILLUSTRATION	ITEM #	DESCRIPTION
	<b>DC-10</b>	C Channel Door / Framing channel for reinforcing steel doors in listed glass frame Sold in lengths of 10' and can be cut to size Dimensions: 1 3/4" x 3/4" x 10' Thickness: 0.053 in. (16 gauge)
	<b>CRFP-30</b>	Full Profile Closer Reinforcement 14" Long for 5 3/4" frame depth
	<b>CRHP-31</b>	Half Profile Closer Reinforcement for unequal rabbet 14" long
	<b>RCLIP-32</b>	Reinforcing Clip High frequency clip
	<b>MCLIP-33</b>	Mounting Clip For transom panel
	<b>M-BRKT</b>	Mullion Bracket



# ACCESSORIES

ILLUSTRATION	ITEM #	DESCRIPTION
	<b>FBDG-LR</b>	Flush Bolt Door Guide (Reversible) 4 x 8-32 Thread
	<b>FBDG-LH (Left)</b>  <b>FBDG-RH (Right)</b>	Handed Flush Bolt Door Guide 4 x 8-32 Thread