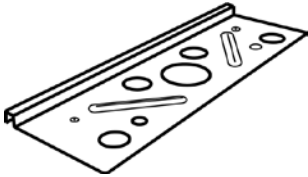
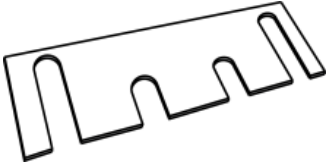
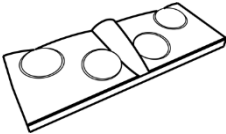
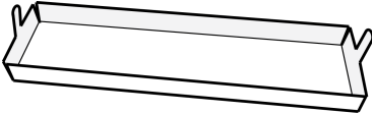
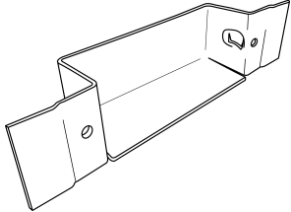
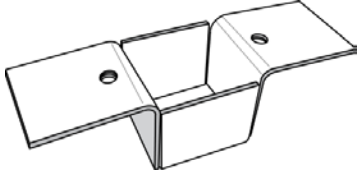
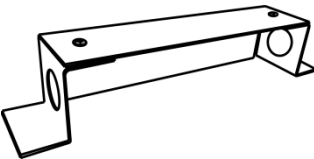
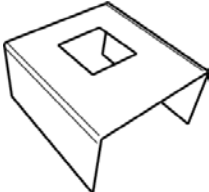




ACCESSORIES

ILLUSTRATION	ITEM #	DESCRIPTION
BOX RECEPTACLES		
	HINGE SHIM-94	4 1/2" Hinge Shim Reversible
	HSHIMS-B	Hinge Shims Thickness: 16 Ga. For 4 1/2" template butts
	FHRPC-27	Frame Hinge Reinforcement Plate Cover
	DMB-28	Dust Mortar Box For 4 1/2" hinge reinforcement
	DBOX-638	Dust Box Dimensions (Inner Box): Length: 3 3/8" Width: 1 3/8" Height: 1 3/16" Total Length: 6 3/8" 14 Gauge
	FBSBOX-36	Flush Bolt Strike Box
	EMB-24	Electric Mortar Box Standard 7" Steel
	AFB-CAP	Automatic Flushbolt Cap