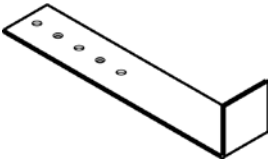
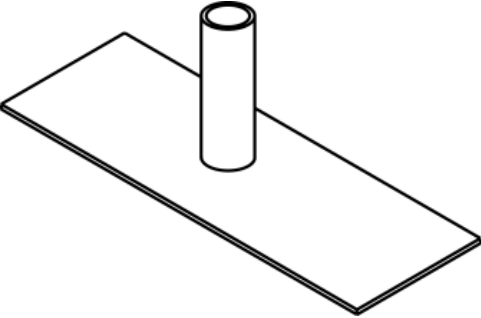
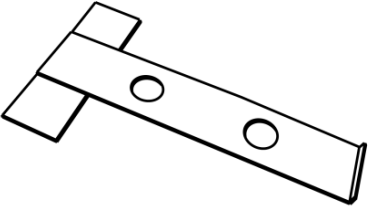
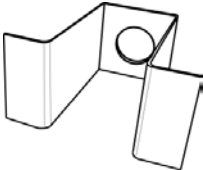
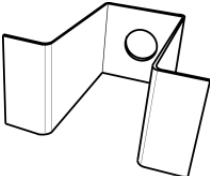
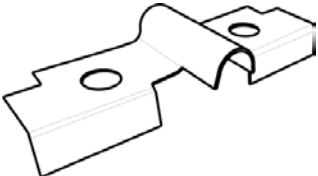


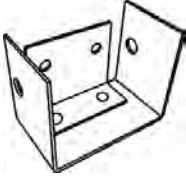
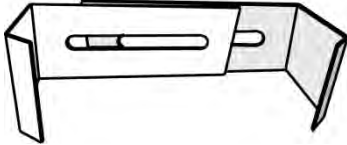
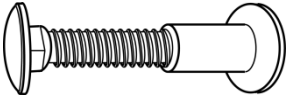
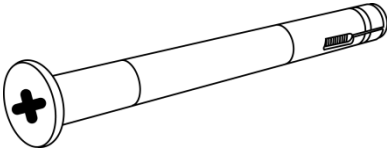
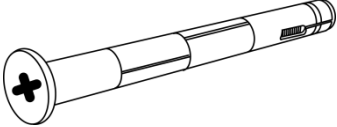
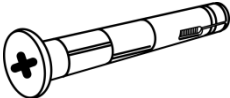
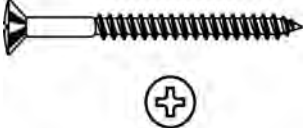
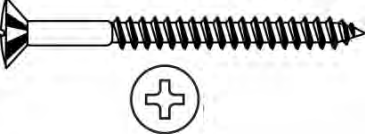



ACCESSORIES

ILLUSTRATION	ITEM #	DESCRIPTION
	SAC-5	Strap Anchor Dimensions: 1"W x 1"H x 5"L Five $\frac{3}{16}$ " Nailing Holes Thickness: 18 Ga.
	MASONRY TUBE ANCHORS	Masonry Tube Anchor $\frac{3}{4}$ " EMT Tubing 2" Strap Width Thickness: 16 Ga. MAS575-4 for 5 $\frac{3}{4}$ " Unequal Rabbet MAS625-6 for 6 $\frac{1}{4}$ " Unequal Rabbet MAS675-3 for 6 $\frac{3}{4}$ " Unequal Rabbet MAS775-2 for 7 $\frac{3}{4}$ " Unequal Rabbet MAS825-5 for 8 $\frac{1}{4}$ " Unequal Rabbet MAS875-1 for 8 $\frac{3}{4}$ " Unequal Rabbet
	MASONRY T ANCHORS	Masonry Tee Anchor 1" Round Holes $\frac{1}{4}$ " Locking Flange Thickness: 16 Ga. TANC5581 for 5 $\frac{3}{4}$ " Frame TANC6584 for 6 $\frac{3}{4}$ " Frame TANC7583 for 7 $\frac{3}{4}$ " Frame TANC8582 for 8 $\frac{3}{4}$ " Frame
	EX-BOLT	Expansion Bolt Anchor 1" Dia. Hole
	EX-BOLT-58	Expansion Bolt Anchor $\frac{5}{8}$ " Dia. Hole
	EMA-634	Existing Masonry Anchor For 4 $\frac{3}{4}$ " – 6 $\frac{3}{4}$ " Frames Best for existing wall applications



ACCESSORIES

ILLUSTRATION	ITEM #	DESCRIPTION
	RMC-13	Removable Mullion Clip
	AMBA-14	Adjustable Mullion Base Anchor Fits frames from 4 3/4" to 8 3/4"
	TB-14	Thru-Bolt 1/2" Dia. For doors 1 3/4" or less. Best used for latch protectors, door savers, louvers, etc...
	DY-5	Stud Dynabolt Anchor 5" Long x 3/8" Dia.
	SBA-438	Stud Bolt Anchor 4" Long x 3/8" Dia.
	SBA-382	Stud Bolt Anchor 2" Long x 3/8" Dia.
	WSA-4	Wood Lag Screw 4" Long 3/8" Dia.
	WD-6	Wood Lag Screw 6" Long 3/8" Dia.
	PPB-16	3/4" Plastic Plug Button